

Accessories, MS series

FESTO




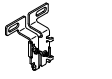




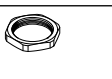
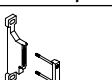
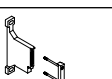
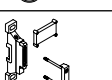
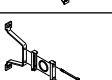

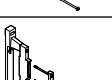
Festo Core Range
Solves the majority of your automation tasks

Worldwide: Quickest delivery – wherever, whenever
Simply good: Expected high Festo quality
Fast: Easy and fast to select



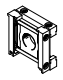
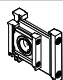

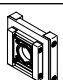
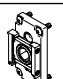
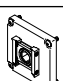

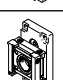

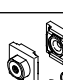

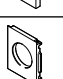
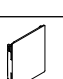
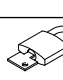
With the Festo Core Range, we have selected the most important products and functions from our broad product catalogue, and added the quickest delivery.
The Core Range offers you the best value for your automation tasks.

Just look
for the
star!

Product range overview

| Type | Accessories for size | | | | | |
|---|---|----------|-----------|-----------|-----------|-----------|
| | MS2 | MS4 | MS6 | MS9 | MS12 | |
| Mounting components for individual components | | | | | | |
| Mounting bracket MS-WB |  | - | ■ → 6 | ■ → 6 | - | - |
| Mounting bracket MS-WBM |  | - | ■ → 7 | - | - | - |
| Mounting bracket MS-WR |  | ■ → 4 | ■ → 8 | ■ → 8 | - | - |
| Mounting bracket Basic MS-WR-B |  | - | ■ → 8 | ■ → 8 | - | - |
| Nut MS-WRS |  | ■ → 4 | - | - | - | - |
| Plug screw MS-G18S |  | ■ → 5 | - | - | - | - |
| Hex nut MS-WRS |  | - | ■ → 9 | ■ → 9 | - | - |
| Mounting components for individual components/combinations | | | | | | |
| Mounting bracket MS-WP |  | - | ■ → 11 | ■ → 11 | ■ → 20 | ■ → 24 |
| Mounting bracket MS-WPB |  | - | ■ → 12 | ■ → 12 | ■ → 21 | - |
| Mounting bracket MS-WPM |  | - | ■ → 13 | ■ → 14 | ■ → 22 | - |
| Mounting bracket MS-WPE |  | - | ■ → 15 | ■ → 15 | - | - |
| Mounting bracket Basic MS-WPE-B |  | - | ■ → 15 | ■ → 15 | - | - |
| Wall mounting set MS-WPG |  | - | - | ■ → 16 | - | - |

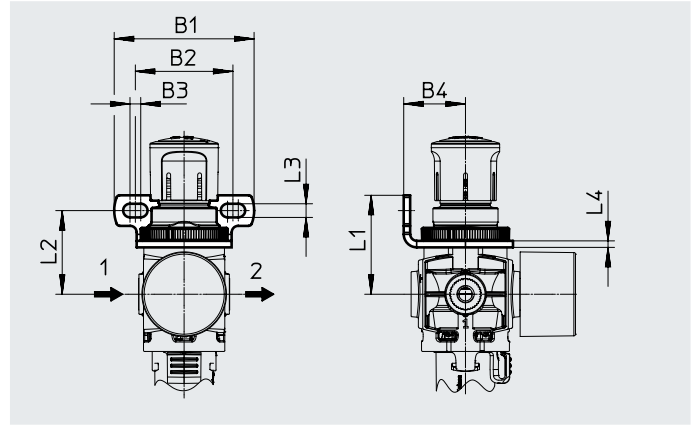
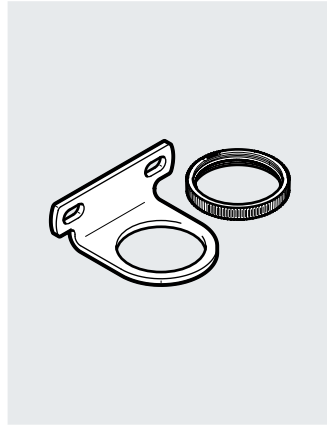
Product range overview

| Type | | Accessories for size | | | | |
|---|---|----------------------|-----------|-----------|---------------|-----------|
| | | MS2 | MS4 | MS6 | MS9 | MS12 |
| Connector | | | | | | |
| Module connector MS-MV |  | - | ■ → 17 | ■ → 17 | ■ → 23 | ■ → 25 |
| Module connector MS-MVM |  | - | ■ → 18 | ■ → 18 | - | - |
| Module connector MS-RMV |  | - | ■ → 27 | ■ → 27 | ■ → 33 | - |
| Module connector MS-AMV |  | - | ■ → 28 | ■ → 28 | - | - |
| |  | - | - | ■ → 30 | ■ → 30 | - |
| Module connector MS-ARMV |  | - | - | ■ → 31 | ■ → 31, 34 | ■ → 34 |
| Adapter for mounting on profiles | | | | | | |
| Power supply modules MS-E-IPM-40-80 |  | - | ■ → 36 | ■ → 36 | - | - |
| Power supply modules MS-E-IPM-80-80 |  | - | ■ → 37 | ■ → 37 | - | - |
| Branching modules MS-A-IPM-80 |  | - | ■ → 38 | ■ → 38 | - | - |
| Branching modules MS-A-RMV-IPM-80 |  | - | ■ → 39 | ■ → 39 | - | - |
| Sealing rings MS-NNR |  | - | ■ → 40 | ■ → 40 | - | - |
| Blanking plates | | | | | | |
| Connecting plate set MS-AG.../MS-AQ... |  | - | ■ → 41 | ■ → 41 | ■ → 43 | ■ → 44 |
| Cover cap MS-END |  | - | ■ → 42 | ■ → 42 | - | - |
| Mounting plate MS-AEND |  | - | ■ → 42 | ■ → 42 | - | - |
| Covering kits | | | | | | |
| Covering kit MS...-RB-10 |  | - | ■ → 45 | ■ → 45 | ■ → 45 | ■ → 45 |
| Safety components | | | | | | |
| Padlock LRVS-D |  | - | ■ → 46 | ■ → 46 | ■ → 46 | ■ → 46 |

Mounting components MS2

Mounting bracket MS2-WR-B

- For wall mounting
- For filter regulator, pressure regulator
- Knurled nut included in the scope of delivery



| Dimensions | | | | | | | |
|------------|----|-----|----|------|------|------|----|
| B1 | B2 | B3 | B4 | L1 | L2 | L3 | L4 |
| ±0.2 | | | | | | ±0.1 | |
| 43 | 30 | 3.3 | 19 | 30.4 | 25.7 | 4.2 | 2 |

| Materials | |
|--------------------|----------------|
| Mounting bracket | Steel |
| Note on materials: | RoHS-compliant |

| Ordering data | | | | |
|---------------|-------------------|------------|----------------|-----------------|
| Size | CRC ¹⁾ | Weight [g] | Part no. | Type |
| MS2 | 1 | 13.8 | 8087978 | MS2-WR-B |

1) Corrosion resistance class CRC 1 to Festo standard FN 940070
 Low corrosion stress. Dry indoor application or transport and storage protection. Also applies to parts behind coverings, in the non-visible interior area, or parts that are covered in the application (e.g. drive trunnions).

Nut MS2-WRS

- For front panel mounting



| Materials | |
|--------------------|----------------|
| Note on materials: | RoHS-compliant |

| Ordering data | | | | |
|---------------|-------------------|------------|----------------|----------------|
| Size | CRC ¹⁾ | Weight [g] | Part no. | Type |
| MS2 | 1 | 0.7 | 8098037 | MS2-WRS |

1) Corrosion resistance class CRC 1 to Festo standard FN 940070
 Low corrosion stress. Dry indoor application or transport and storage protection. Also applies to parts behind coverings, in the non-visible interior area, or parts that are covered in the application (e.g. drive trunnions).

Mounting components MS2

Plug screw MS2-G18S



| Materials | | | | |
|--------------------|-------------------|------------|----------------|-----------------|
| Note on materials: | RoHS-compliant | | | |
| Ordering data | | | | |
| Size | CRC ¹⁾ | Weight [g] | Part no. | Type |
| MS2 | 1 | 4.6 | 8095766 | MS2-G18S |

1) Corrosion resistance class CRC 1 to Festo standard FN 940070

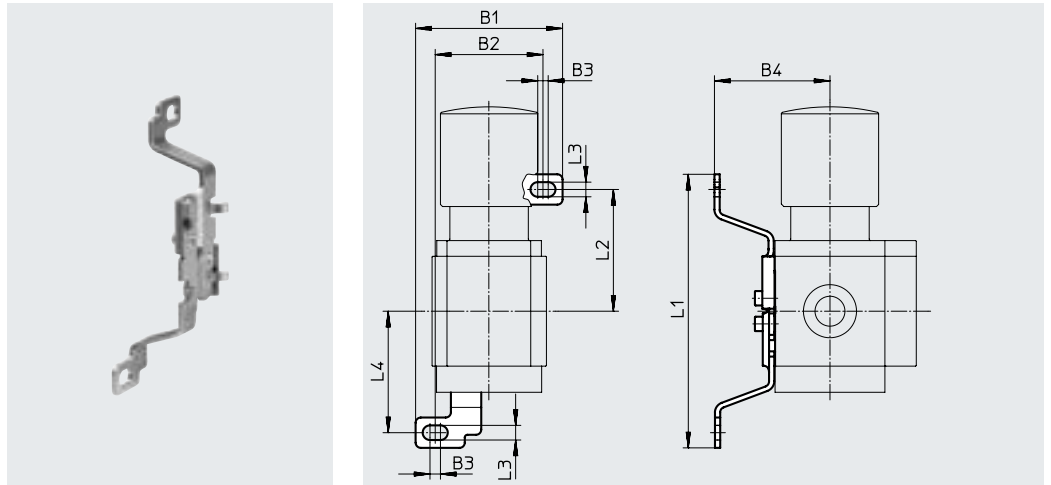
Low corrosion stress. Dry indoor application or transport and storage protection. Also applies to parts behind coverings, in the non-visible interior area, or parts that are covered in the application (e.g. drive trunnions).

Mounting components MS4, MS6

Mounting bracket MS4/6-WB

(order code: WB)

- For wall mounting



Operating and environmental conditions

| | |
|--|-------------|
| Temperature of medium [°C] | -10 ... +60 |
| Corrosion resistance class CRC ¹⁾ | 2 |

1) Corrosion resistance class CRC 2 to Festo standard FN 940070

Moderate corrosion stress. Indoor applications in which condensation can occur. External visible parts with primarily decorative surface requirements which are in direct contact with a normal industrial environment.

Materials

| | |
|--------------------|-------------------------|
| Bracket | Steel |
| Screws | Steel |
| Note on materials: | RoHS-compliant |
| | Free of copper and PTFE |

★ Core Range

Dimensions and ordering data

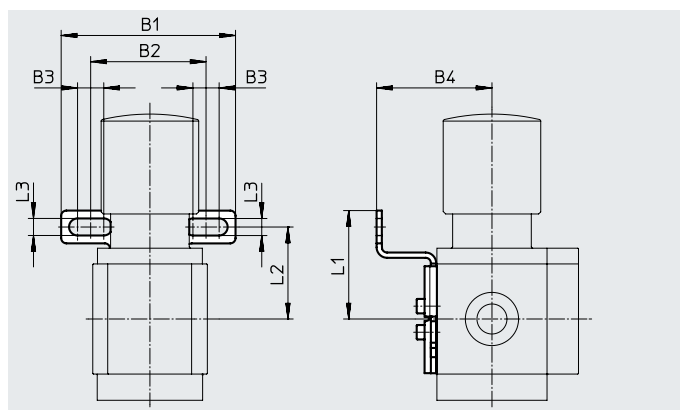
| Size | B1 | B2 | B3 | B4 | L1 | L2 | L3 | L4 | Weight [g] | Part no. | Type |
|------|------|------|-----|------|-------|------|-----|------|------------|----------|--------|
| MS4 | 56.2 | 41.2 | 4 | 44.2 | 104.6 | 46.6 | 5.6 | 46.5 | 46 | ★ 532185 | MS4-WB |
| MS6 | 79.4 | 61.9 | 4.5 | 55 | 157.6 | 71 | 6.6 | 71 | 121 | ★ 532196 | MS6-WB |

Mounting components MS4, MS6

Mounting bracket MS4-WBM

(order code: WBM)

- For wall mounting



Operating and environmental conditions

| | | |
|--|------|-------------|
| Temperature of medium | [°C] | -10 ... +60 |
| Corrosion resistance class CRC ¹⁾ | | 2 |

1) Corrosion resistance class CRC 2 to Festo standard FN 940070

Moderate corrosion stress. Indoor applications in which condensation can occur. External visible parts with primarily decorative surface requirements which are in direct contact with a normal industrial environment.

Materials

| | |
|--------------------|-------------------------|
| Bracket | Steel |
| Screws | Steel |
| Note on materials: | RoHS-compliant |
| | Free of copper and PTFE |

Dimensions and ordering data

| Size | B1 | B2 | B3 | B4 | L1 | L2 | L3 | Weight [g] | Part no. | Type |
|------|------|----|----|----|------|----|-----|------------|----------|---------|
| MS4 | 66.5 | 44 | 10 | 44 | 41.3 | 35 | 6.5 | 48 | 526062 | MS4-WBM |

Mounting components MS4, MS6

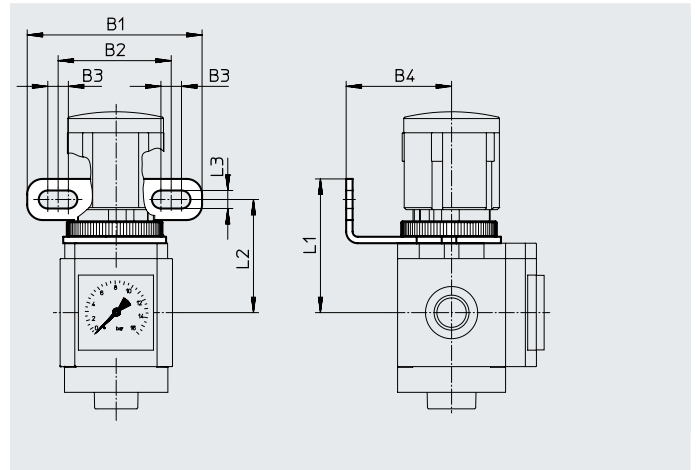
Mounting bracket MS4/6-WR

(order code: WR)

- For wall mounting
- For filter regulator, pressure regulator



MS4/6-WR



Note

If a knurled nut is not included with the service unit component, a hex nut for mounting this bracket will need to be ordered separately.

Mounting bracket MS4/6-WR-B

- For wall mounting
- For filter regulator, pressure regulator
- Knurled nut included in the scope of delivery



MS4/6-WR-B

Operating and environmental conditions

| | |
|--|-------------|
| Temperature of medium [°C] | -10 ... +60 |
| Corrosion resistance class CRC ¹⁾ | 2 |

1) Corrosion resistance class CRC 2 to Festo standard FN 940070
Moderate corrosion stress. Indoor applications in which condensation can occur. External visible parts with primarily decorative surface requirements which are in direct contact with a normal industrial environment.

Materials

| | |
|--------------------|---|
| Bracket | Steel |
| Note on materials: | RoHS-compliant Free of copper and PTFE |

★ Core Range

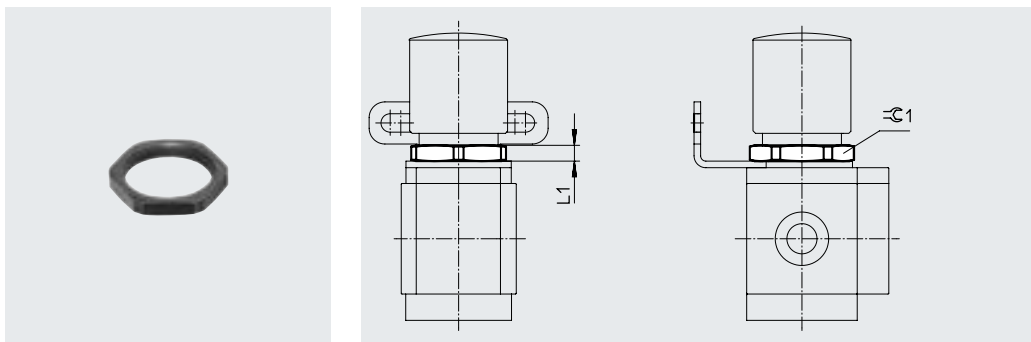
Dimensions and ordering data

| Size | B1 | B2 | B3 | B4 | L1 | L2 | L3 | Weight [g] | Part no. | Type |
|------------------------------|----|----|-----|----|----|----|-----|------------|----------|----------|
| Size 4 | | | | | | | | | | |
| For MS series | 68 | 44 | 8 | 41 | 52 | 44 | 7 | 49 | ★ 526064 | MS4-WR |
| For MS series, Basic version | | | | | | | | | 8149680 | MS4-WR-B |
| Size 6 | | | | | | | | | | |
| For MS series | 70 | 42 | 8.2 | 40 | 67 | 57 | 7.1 | 90 | ★ 526075 | MS6-WR |
| For MS series, Basic version | | | | | | | | | 8149681 | MS6-WR-B |

Mounting components MS4, MS6

Hex nut MS4/6-WRS

- For front panel mounting
- For attaching the mounting bracket MS...-WR



Operating and environmental conditions

| | |
|--|-------------|
| Temperature of medium [°C] | -10 ... +60 |
| Corrosion resistance class CRC ¹⁾ | 2 |

1) Corrosion resistance class CRC 2 to Festo standard FN 940070

Moderate corrosion stress. Indoor applications in which condensation can occur. External visible parts with primarily decorative surface requirements which are in direct contact with a normal industrial environment.

Materials

| | |
|--------------------|-------------------------|
| Nut | Wrought aluminium alloy |
| Note on materials: | RoHS-compliant |
| | Free of copper and PTFE |

Dimensions and ordering data

| Size | L1 | ∅ 1 | Weight [g] | Part no. | Type |
|------|----|-----|------------|---------------|----------------|
| MS4 | 6 | 36 | 6.9 | 532187 | MS4-WRS |
| MS6 | 7 | 55 | 20.9 | 532188 | MS6-WRS |

Mounting components MS4, MS6

Mounting bracket MS4/6-WP...

Spacing for mounting service unit combinations

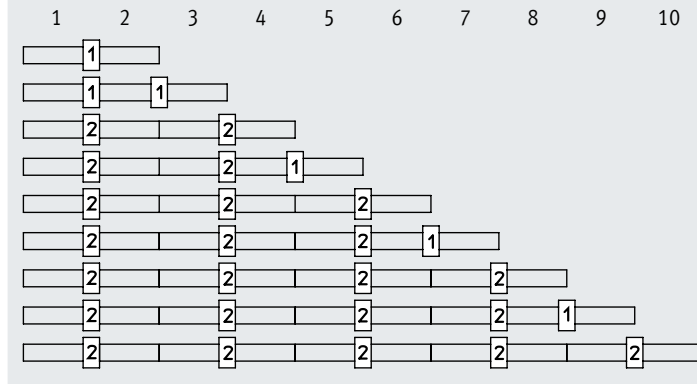
Size MS4

- 1 service unit component with MS4-WP... : 40.2 mm (20.1 mm)¹⁾
- 2 service unit components with MS4-WP... : 80.4 mm (40.2 mm)¹⁾

Size MS6

- 1 service unit component with
 - MS6-WP/WPB/WPE: 62 mm (31 mm)¹⁾
 - MS6-WPM-D: 69 mm (38 mm)¹⁾
- 2 service unit components with
 - MS6-WP/WPB/WPE: 124 mm (62 mm)¹⁾
 - MS6-WPM-2D: 138 mm (76 mm)¹⁾

Number of components



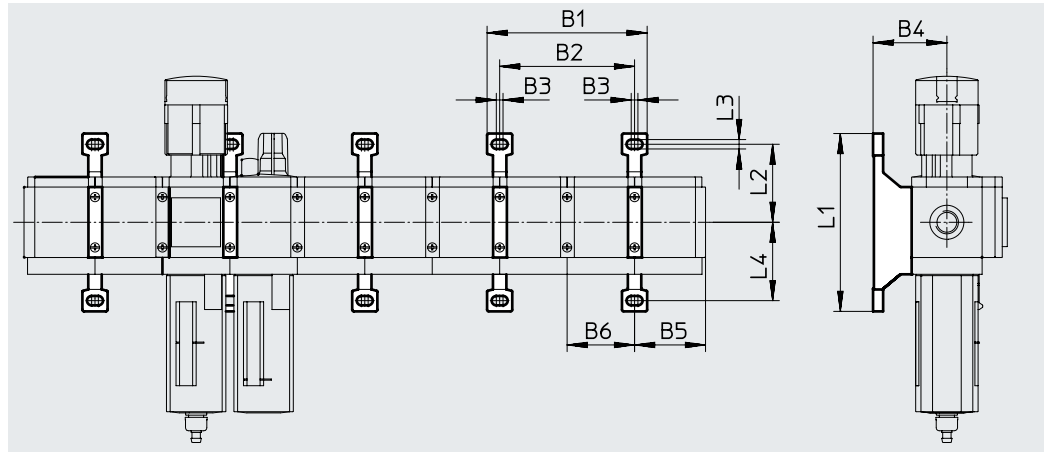
- [1] Mounting bracket WP, WPB, WPE or WPM-D
- [2] Mounting bracket WP, WPB, WPE or WPM-2D

1) With distributor block MS-FRM-FRZ

Mounting dimensions

Note

The distributor block MS4/6-FRM-FRZ has half the normal grid dimension.



| Type | 2 service unit components with grid dimension | | 1 service unit component with grid dimension and 1 distributor block MS-FRM-FRZ | | 2 distributor blocks MS-FRM-FRZ | | B3 | B4 | Service unit component with grid dimension | | Distributor block MS-FRM-FRZ | | L1 | L2 | L3 | L4 |
|--------------|---|------|---|------|---------------------------------|------|------|------|--|------|------------------------------|------|------|------|-----|------|
| | B1 | B2 | B1 | B2 | B1 | B2 | | | B5 ¹⁾ | B6 | B5 ¹⁾ | B6 | | | | |
| MS4-WP | 95.4 | 80.4 | 75.3 | 60.3 | 55.2 | 40.2 | 4 | 44 | 41.9 | 40.2 | 21.8 | 20.1 | 106 | 46.5 | 5.6 | 46.7 |
| MS4-WPB/WPE | | | | | | | | 66 | | | | | | | | |
| MS4-WPM-...D | | | | | | | | 44 | | | | | | | | |
| MS6-WP | 141 | 124 | 110 | 93 | 79 | 62 | 4.5 | 54.1 | 64.5 | 62 | 33.5 | 31 | 158 | 71 | 6.6 | 71 |
| MS6-WPB/WPE | | | | | | | | 90.5 | | | | | | | | |
| MS6-WPM-...D | | | | | | | | 54.1 | | | | | | | | |
| MS6-WPM-2D | 168 | 138 | 137 | 107 | 106 | 76 | 17.5 | 54.1 | 68 | 69 | 37 | 38 | 98.6 | 41.3 | | 41.3 |

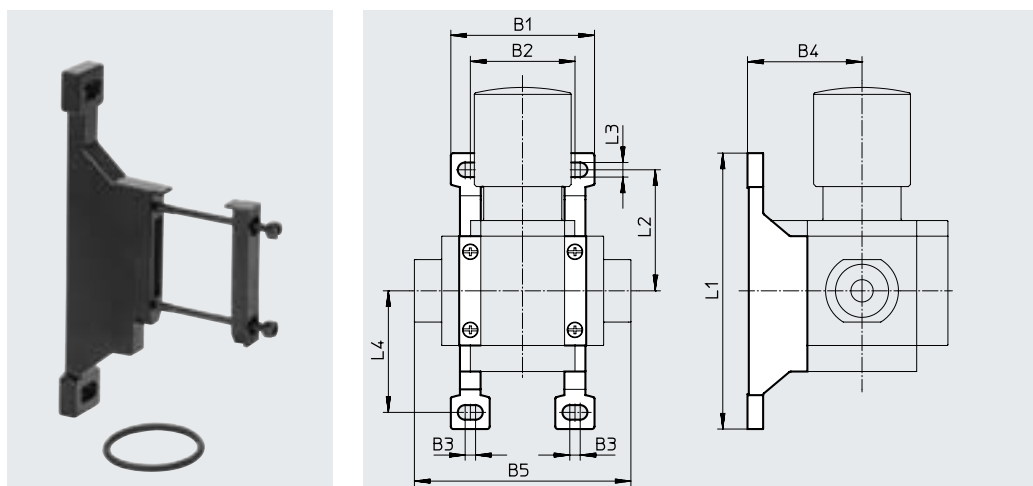
1) With cover cap MS-END as accessory

Mounting components MS4, MS6

Mounting bracket MS4/6-WP

(order code: WP)

- For connecting the modules for wall mounting
- In combination with connecting plate MS4/6-AG... for wall mounting an individual component
- In combination with mounting plate MS4/6-AEND for wall mounting an individual component
- For pressure regulator LRB with angled outlet block B... at the rear
- Same wall gap for combinations of series MS4 and MS6



Operating and environmental conditions

| | |
|--|-------------|
| Temperature of medium [°C] | -10 ... +60 |
| Corrosion resistance class CRC ¹⁾ | 2 |

1) Corrosion resistance class CRC 2 to Festo standard FN 940070

Moderate corrosion stress. Indoor applications in which condensation can occur. External visible parts with primarily decorative surface requirements which are in direct contact with a normal industrial environment.

Materials

| | |
|--------------------|---|
| Bracket | Die-cast aluminium |
| Module connector | POM, steel |
| Screws | Steel |
| Seals | NBR |
| Note on materials: | RoHS-compliant Free of copper and PTFE |

★ Core Range

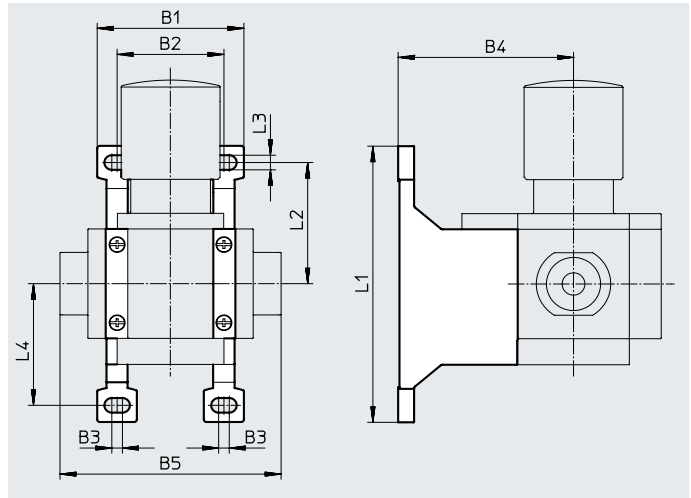
| Dimensions and ordering data | | | | | | | | | | | | |
|--|------|------|-----|------|------|-----|------|-----|------|------------|----------|-----------|
| Size | B1 | B2 | B3 | B4 | B5 | L1 | L2 | L3 | L4 | Weight [g] | Part no. | Type |
| MS4 | 55.2 | 40.2 | 4 | 44 | 83.4 | 106 | 46.5 | 5.6 | 46.7 | 39 | ★ 532184 | MS4-WP |
| MS6 | 79 | 62 | 4.5 | 54.1 | 115 | 158 | 71 | 6.6 | 71 | 76 | ★ 532195 | MS6-WP |
| For use in potentially explosive areas in zones 2 and 22 | | | | | | | | | | | | |
| MS4 | 55.2 | 40.2 | 4 | 44 | 83.4 | 106 | 46.5 | 5.6 | 46.7 | 39 | 541554 | MS4-WP-EX |
| MS6 | 79 | 62 | 4.5 | 54.1 | 115 | 158 | 71 | 6.6 | 71 | 76 | 541544 | MS6-WP-EX |

Mounting components MS4, MS6

Mounting bracket MS4/6-WPB

(order code: WPB)

- For connecting the modules for wall mounting
- In combination with connecting plate MS4/6-AG... for wall mounting an individual component
- In combination with mounting plate MS4/6-AEND for wall mounting an individual component
- Provides large wall gap for pressure regulator



Operating and environmental conditions

| | |
|--|-------------|
| Temperature of medium [°C] | -10 ... +60 |
| Corrosion resistance class CRC ¹⁾ | 2 |

1) Corrosion resistance class CRC 2 to Festo standard FN 940070

Moderate corrosion stress. Indoor applications in which condensation can occur. External visible parts with primarily decorative surface requirements which are in direct contact with a normal industrial environment.

Materials

| | |
|--------------------|-------------------------|
| Bracket | Die-cast aluminium |
| Module connector | POM, steel |
| Screws | Steel |
| Seals | NBR |
| Note on materials: | RoHS-compliant |
| | Free of copper and PTFE |

★ Core Range

Dimensions and ordering data

| Size | B1 | B2 | B3 | B4 | B5 | L1 | L2 | L3 | L4 | Weight [g] | Part no. | Type |
|------|------|------|-----|------|------|-----|------|-----|------|------------|----------|---------|
| MS4 | 55.2 | 40.2 | 4 | 66 | 83.4 | 106 | 46.5 | 5.6 | 46.7 | 55 | ★ 526063 | MS4-WPB |
| MS6 | 79 | 62 | 4.5 | 90.5 | 115 | 158 | 71 | 6.6 | 71 | 115 | ★ 526074 | MS6-WPB |

For use in potentially explosive areas in zones 2 and 22

| | | | | | | | | | | | | |
|-----|------|------|-----|------|------|-----|------|-----|------|-----|--------|------------|
| MS4 | 55.2 | 40.2 | 4 | 66 | 83.4 | 106 | 46.5 | 5.6 | 46.7 | 55 | 541552 | MS4-WPB-EX |
| MS6 | 79 | 62 | 4.5 | 90.5 | 115 | 158 | 71 | 6.6 | 71 | 115 | 541542 | MS6-WPB-EX |

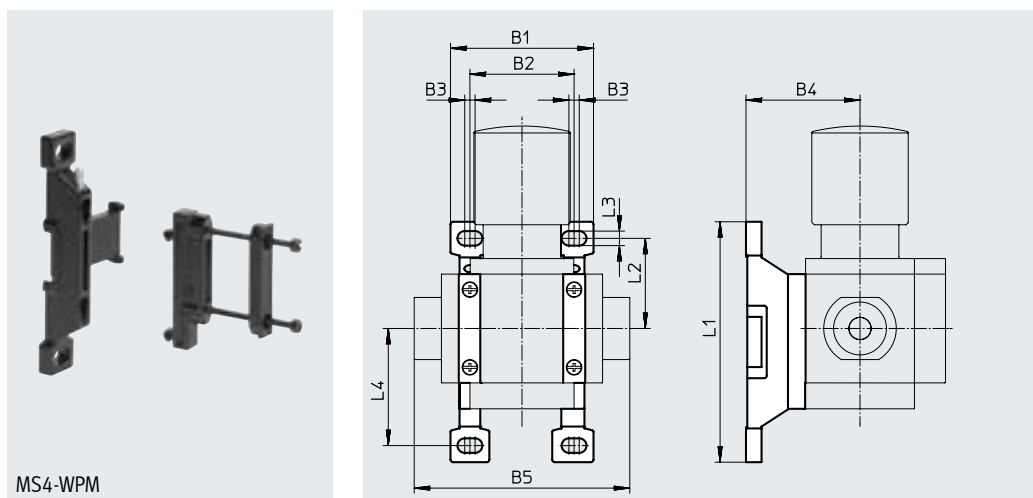
Mounting components MS4, MS6

Mounting bracket MS4-WPM

(order code: WPM)

- For connecting the modules for wall mounting
- In combination with connecting plate MS4-AG... for wall mounting an individual component
- Quick to mount and dismount
- For installing modules with control knob pointing downwards

The distance piece D or 2D included in the scope of delivery ensures the mounting spacing is maintained.



MS4-WPM

Operating and environmental conditions

| | |
|--|-------------|
| Temperature of medium [°C] | -10 ... +60 |
| Corrosion resistance class CRC ¹⁾ | 2 |

1) Corrosion resistance class CRC 2 to Festo standard FN 940070

Moderate corrosion stress. Indoor applications in which condensation can occur. External visible parts with primarily decorative surface requirements which are in direct contact with a normal industrial environment.

Materials

| | |
|--------------------|-------------------------|
| Bracket | Die-cast aluminium |
| Module connector | POM, steel |
| Screws | Steel |
| Seals | NBR |
| Note on materials: | RoHS-compliant |
| | Free of copper and PTFE |

★ Core Range

Dimensions and ordering data

| Size | B1 | B2 | B3 | B4 | B5 | L1 | L2 | L3 | L4 | Mounting spacing | Weight [g] | Part no. | Type |
|------|------|------|----|----|-------|------|------|-----|------|------------------|------------|----------|------------|
| MS4 | 55.2 | 40.2 | 4 | 44 | 83.4 | 92.8 | 34.8 | 5.6 | 45.2 | 40.2 | 45 | ★ 526060 | MS4-WPM-D |
| | 95.4 | 80.4 | | | 123.4 | | | | | 80.4 | | 526061 | MS4-WPM-2D |

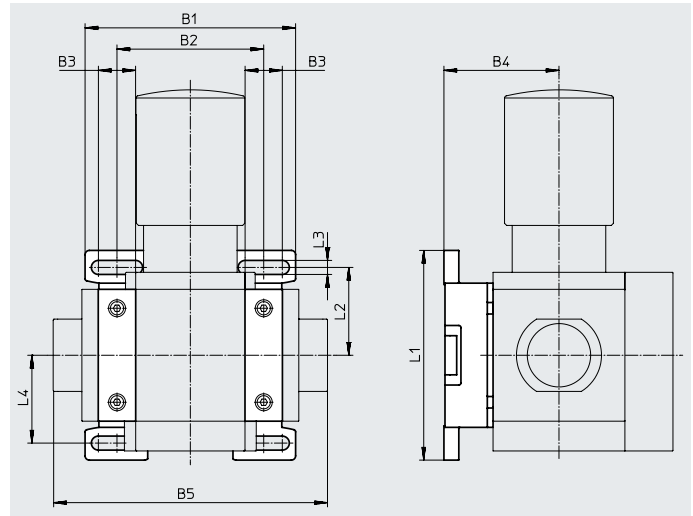
Mounting components MS4, MS6

Mounting bracket MS6-WPM

(order code: WPM)

- For connecting the modules for wall mounting
- In combination with connecting plate MS6-AG... for wall mounting an individual component
- Quick to mount and dismount
- For installing modules with control knob pointing downwards

The distance piece D or 2D included in the scope of delivery ensures the mounting spacing is maintained.



Operating and environmental conditions

| | |
|--|-------------|
| Temperature of medium [°C] | -10 ... +60 |
| Corrosion resistance class CRC ¹⁾ | 2 |

1) Corrosion resistance class CRC 2 to Festo standard FN 940070

Moderate corrosion stress. Indoor applications in which condensation can occur. External visible parts with primarily decorative surface requirements which are in direct contact with a normal industrial environment.

Materials

| | |
|--------------------|-------------------------|
| Bracket | Die-cast aluminium |
| Module connector | Die-cast aluminium |
| Screws | Steel |
| Seals | NBR |
| Note on materials: | RoHS-compliant |
| | Free of copper and PTFE |

★ Core Range

Dimensions and ordering data

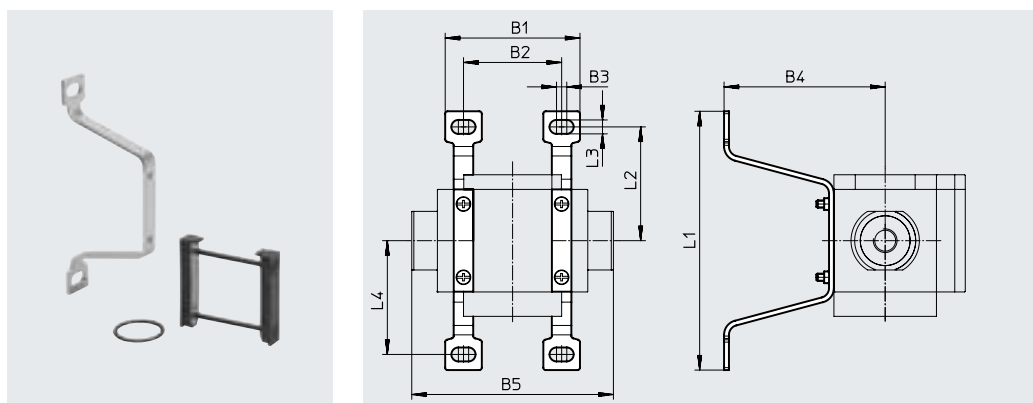
| Size | B1 | B2 | B3 | B4 | B5 | L1 | L2 | L3 | L4 | Mounting spacing | Weight [g] | Part no. | Type |
|------|-----|-----|------|------|-----|------|------|-----|------|------------------|------------|----------|------------|
| MS6 | 99 | 69 | 17.5 | 54.1 | 129 | 98.6 | 41.3 | 6.6 | 41.3 | 69 | 144 | ★ 526073 | MS6-WPM-D |
| | 168 | 138 | | | 198 | | | | | 138 | 154 | 532186 | MS6-WPM-2D |

Mounting components MS4, MS6

Mounting bracket MS4/6-WPE

- Inexpensive alternative to mounting bracket MS4/6-WP/-WPB

Note on materials:
RoHS-compliant



Dimensions and ordering data

| | B1 | B2 | B3 | B4 | B5 | L1 | L2 | L3 | L4 | CRC ¹⁾ | Weight [g] | Part no. | Type |
|------------------------------|------|------|-----|------|-------|-----|------|-----|------|-------------------|------------|----------|-----------|
| Size 4 | | | | | | | | | | | | | |
| For MS series | 55.2 | 40.2 | 4.2 | 66 | 83.4 | 106 | 46.6 | 5.7 | 46.6 | 2 | 42 | 558869 | MS4-WPE |
| For MS series, Basic version | 55.2 | 40.2 | 5 | 44.4 | 83.3 | 106 | 46.6 | 5.7 | 46.6 | 2 | 30 | 8118600 | MS4-WPE-B |
| Size 6 | | | | | | | | | | | | | |
| For MS series | 79 | 62 | 4.3 | 90.5 | 115 | 158 | 71 | 6.5 | 71 | 2 | 78 | 1025936 | MS6-WPE |
| For MS series, Basic version | 79 | 62 | 4.3 | 53.9 | 114.9 | 158 | 71 | 6.5 | 71 | 2 | 58 | 8118599 | MS6-WPE-B |

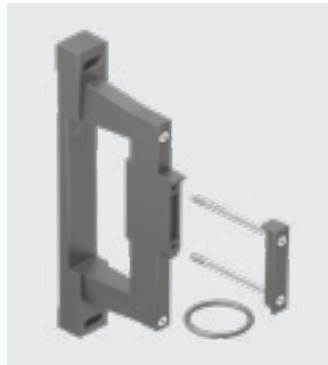
1) Corrosion resistance class CRC 2 to Festo standard FN 940070

Moderate corrosion stress. Indoor applications in which condensation can occur. External visible parts with primarily decorative surface requirements which are in direct contact with a normal industrial environment.

Mounting components MS4, MS6

Wall mounting set MS6-WPG

- For connecting the modules for wall mounting
- Same wall gap for combinations of series MS6 and MSE6



Operating and environmental conditions

| | |
|--|-------------|
| Temperature of medium [°C] | -10 ... +60 |
| Corrosion resistance class CRC ¹⁾ | 2 |

1) Corrosion resistance class CRC 2 to Festo standard FN 940070

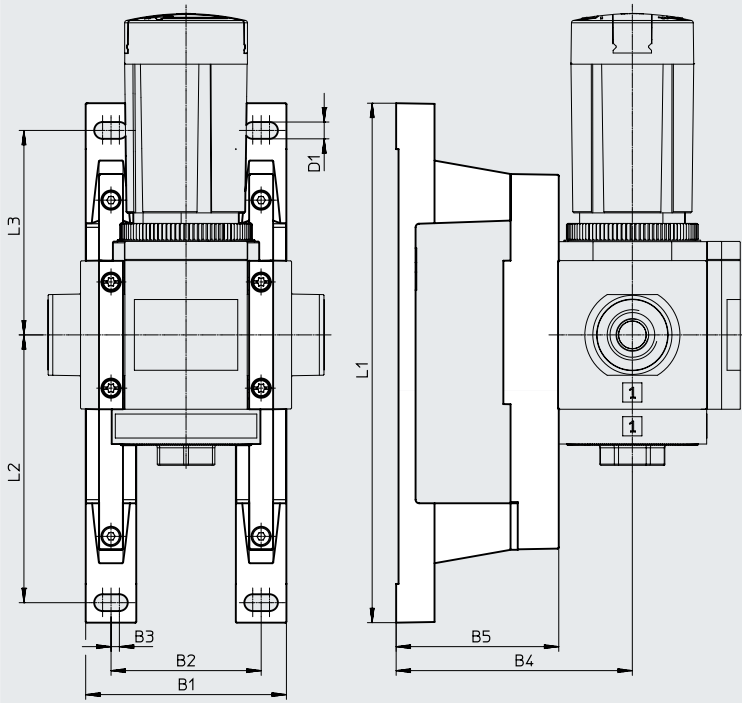
Moderate corrosion stress. Indoor applications in which condensation can occur. External visible parts with primarily decorative surface requirements which are in direct contact with a normal industrial environment.

Materials

| | |
|-------------------|---|
| Bracket | Die-cast aluminium |
| Module connector | POM, steel |
| Screws | Steel |
| Seals | NBR |
| Note on materials | RoHS-compliant Free of copper and PTFE |

Dimensions

Download CAD data → www.festo.com



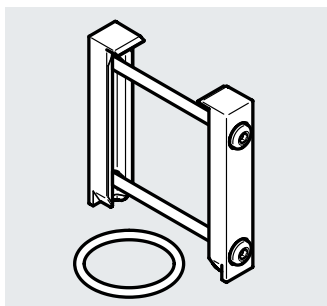
Dimensions and ordering data

| Size | B1 | B2 | B3 | B4 | B5 | D1 | L1 | L2 | L3 | Weight [g] | Part no. | Type |
|------|----|----|-----|----|----|----|-----|-----|----|------------|----------|---------|
| MS6 | 84 | 62 | 3.5 | 99 | 68 | 7 | 217 | 111 | 86 | 245 | 8072794 | MS6-WPG |

Mounting components MS4, MS6

Module connector MS4/6-MV

- For connecting the modules



Operating and environmental conditions

| | |
|--|-------------|
| Temperature of medium [°C] | -10 ... +60 |
| Corrosion resistance class CRC ¹⁾ | 2 |

1) Corrosion resistance class CRC 2 to Festo standard FN 940070

Moderate corrosion stress. Indoor applications in which condensation can occur. External visible parts with primarily decorative surface requirements which are in direct contact with a normal industrial environment.

Materials

| | |
|--------------------|-------------------------|
| Module connector | POM, steel |
| Screws | Steel |
| Seals | NBR |
| Note on materials: | RoHS-compliant |
| | Free of copper and PTFE |

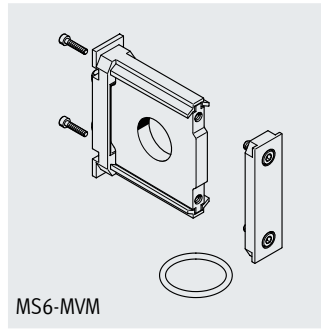
Ordering data

| Size | Weight [g] | Part no. | Type |
|---|------------|----------|-----------|
| MS4 | 13 | 8119201 | MS4-MV1 |
| MS6 | 13 | 8119204 | MS6-MV1 |
| For use in potentially explosive areas in zones 2 and 22 | | | |
| MS4 | 36 | 541553 | MS4-MV-EX |
| MS6 | 54 | 541543 | MS6-MV-EX |

Mounting components MS4, MS6

Module connector MS4/6-MVM

- For installing modules with control knob pointing downwards



Operating and environmental conditions

| | |
|--|-------------|
| Temperature of medium [°C] | -10 ... +60 |
| Corrosion resistance class CRC ¹⁾ | 2 |

1) Corrosion resistance class CRC 2 to Festo standard FN 940070

Moderate corrosion stress. Indoor applications in which condensation can occur. External visible parts with primarily decorative surface requirements which are in direct contact with a normal industrial environment.

Materials

| Size | MS4 | MS6 |
|--------------------|-------------------------|--------------------|
| Module connector | POM, steel | Die-cast aluminium |
| Plate | Die-cast aluminium | |
| Screws | Steel | |
| Seals | NBR | |
| Note on materials: | RoHS-compliant | |
| | Free of copper and PTFE | |

★ Core Range

Ordering data

| Size | Weight [g] | Part no. | Type |
|------|------------|----------|---------|
| MS4 | 19 | ★ 532800 | MS4-MVM |
| MS6 | 89 | ★ 532801 | MS6-MVM |

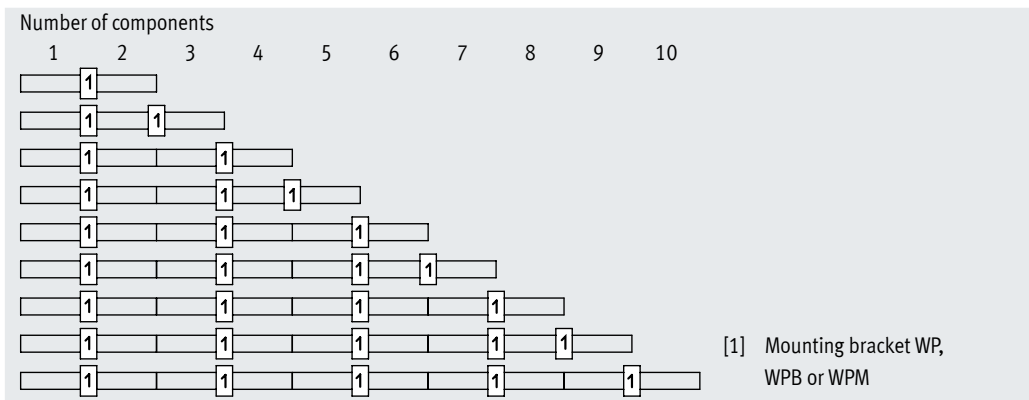
Mounting components MS9

Mounting bracket MS9-WP..

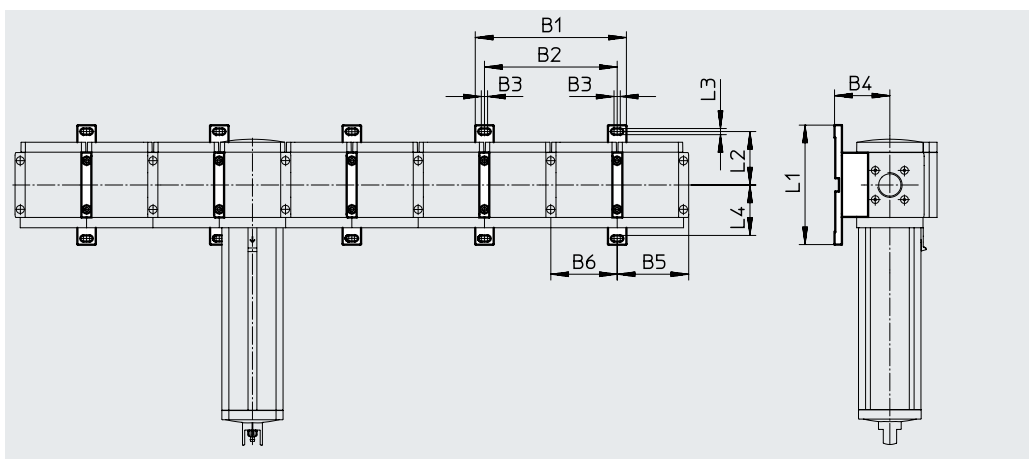
Spacing for mounting service unit combinations

1 service unit component: 90 mm

2 service unit components: 180 mm



Mounting dimensions



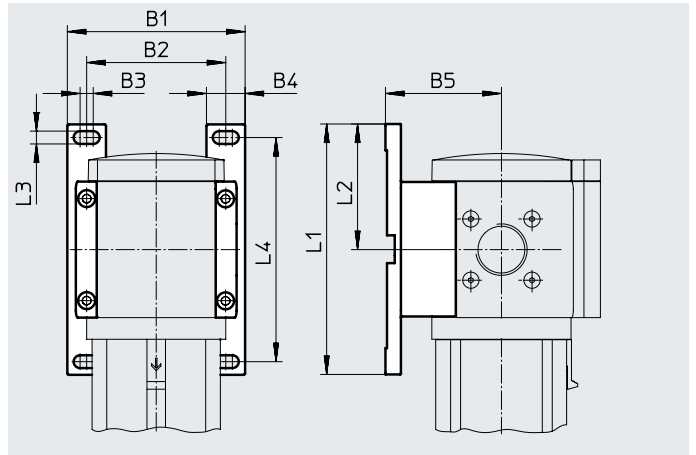
| Type | B1 | B2 | B3 | B4 | B5 | B6 | L1 | L2 | L3 | L4 |
|---------|-----|-----|-----|------|----|----|-----|-------|-----|-------|
| MS9-WP | 205 | 180 | 8.5 | 75 | 97 | 90 | 162 | 72.75 | 8.3 | 72.25 |
| MS9-WPB | | | | 99 | | | | | | |
| MS9-WPM | | | | 90.5 | | | | | | |

Mounting components MS9

Mounting bracket MS9-WP

(order code: WP)

- For connecting the modules for wall mounting
- In combination with connecting plate MS9-AG... for wall mounting an individual component



Operating and environmental conditions

| | | |
|--|------|-------------|
| Temperature of medium | [°C] | -10 ... +60 |
| Corrosion resistance class CRC ¹⁾ | | 2 |

1) Corrosion resistance class CRC 2 to Festo standard FN 940070

Moderate corrosion stress. Indoor applications in which condensation can occur. External visible parts with primarily decorative surface requirements which are in direct contact with a normal industrial environment.

Materials

| | |
|--------------------|-------------------------|
| Bracket | Die-cast aluminium |
| Module connector | Die-cast aluminium |
| Hollow bolt | Die-cast aluminium |
| Screws | Steel |
| Seals | NBR |
| Note on materials: | RoHS-compliant |
| | Free of copper and PTFE |

Dimensions and ordering data

| Size | B1 | B2 | B3 | B4 | B5 | L1 | L2 | L3 | L4 | Weight [g] | Part no. | Type |
|------|-----|----|-----|----|----|-----|-------|-----|-----|------------|----------|--------|
| MS9 | 115 | 90 | 8.5 | 25 | 75 | 162 | 81.25 | 8.3 | 145 | 180 | 552947 | MS9-WP |

- Note

The screws for the wall bracket are partially covered on the rear by the housing of the on/off valves MS9-EM or MS9-EE.

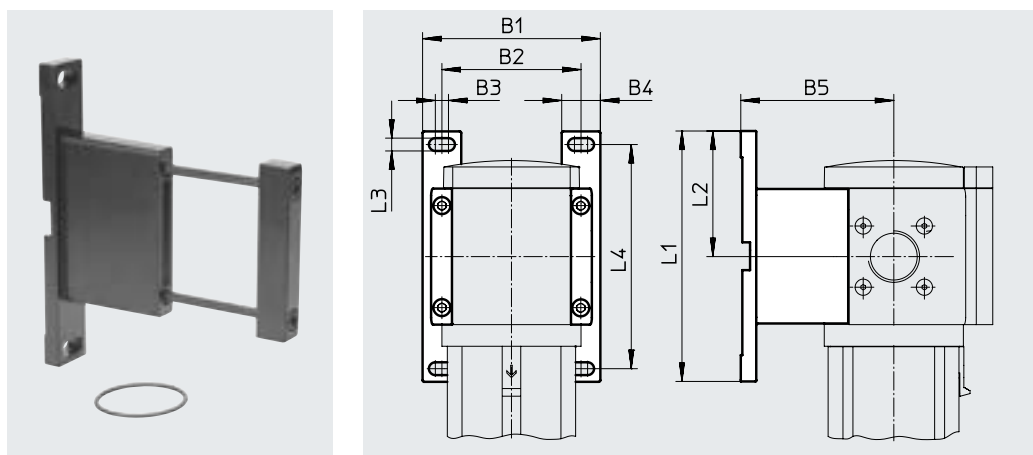
Depending on the configuration of a service unit combination, the screws will no longer be accessible. The mounting bracket MS9-WPM is therefore recommended for wall mounting.

Mounting components MS9

Mounting bracket MS9-WPB

(order code: WPB)

- For connecting the modules for wall mounting
- In combination with connecting plate MS9-AG... for wall mounting an individual component
- Same wall gap for combination with MS12 series using the mounting bracket MS12-WP



Operating and environmental conditions

| | | |
|--|------|-------------|
| Temperature of medium | [°C] | -10 ... +60 |
| Corrosion resistance class CRC ¹⁾ | | 2 |

1) Corrosion resistance class CRC 2 to Festo standard FN 940070

Moderate corrosion stress. Indoor applications in which condensation can occur. External visible parts with primarily decorative surface requirements which are in direct contact with a normal industrial environment.

Materials

| | |
|--------------------|-------------------------|
| Bracket | Die-cast aluminium |
| Module connector | Die-cast aluminium |
| Hollow bolt | Die-cast aluminium |
| Screws | Steel |
| Seals | NBR |
| Note on materials: | RoHS-compliant |
| | Free of copper and PTFE |

Dimensions and ordering data

| Size | B1 | B2 | B3 | B4 | B5 | L1 | L2 | L3 | L4 | Weight [g] | Part no. | Type |
|------|-----|----|-----|----|----|-----|-------|-----|-----|------------|----------|---------|
| MS9 | 115 | 90 | 8.5 | 25 | 99 | 162 | 81.25 | 8.3 | 145 | 210 | 552949 | MS9-WPB |

Note

The screws for the wall bracket are partially covered on the rear by the housing of the on/off valves MS9-EM or MS9-EE.

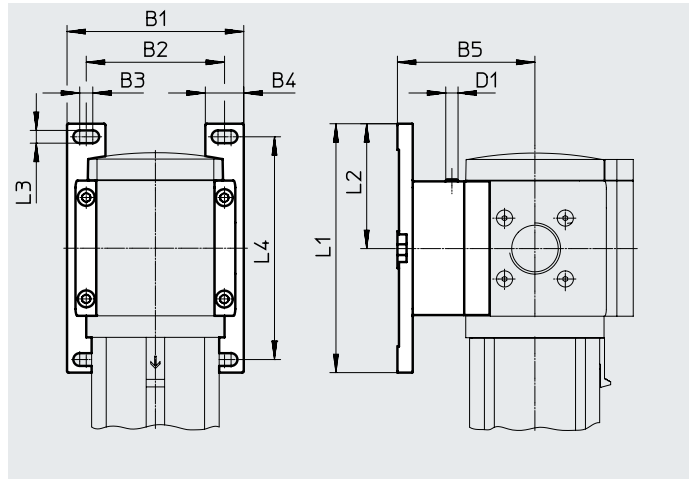
Depending on the configuration of a service unit combination, the screws will no longer be accessible. The mounting bracket MS9-WPM is therefore recommended for wall mounting.

Mounting components MS9

Mounting bracket MS9-WPM

(order code: WPM)

- For connecting the modules for wall mounting
- In combination with connecting plate MS9-AG... for wall mounting an individual component
- Quick to mount and dismount
- Same wall gap for combination with MS6 series using the mounting bracket MS6-WPB



The distance pieces included in the scope of delivery ensure the mounting spacing is maintained.

Operating and environmental conditions

| | |
|--|-------------|
| Temperature of medium [°C] | -10 ... +60 |
| Corrosion resistance class CRC ¹⁾ | 2 |

1) Corrosion resistance class CRC 2 to Festo standard FN 940070

Moderate corrosion stress. Indoor applications in which condensation can occur. External visible parts with primarily decorative surface requirements which are in direct contact with a normal industrial environment.

Materials

| | |
|--------------------|-------------------------|
| Bracket | Die-cast aluminium |
| Module connector | Die-cast aluminium |
| Hollow bolt | Die-cast aluminium |
| Screws | Steel |
| Seals | NBR |
| Note on materials: | RoHS-compliant |
| | Free of copper and PTFE |

Dimensions and ordering data

| Size | B1 | B2 | B3 | B4 | B5 | D1 | L1 | L2 | L3 | L4 | Weight [g] | Part no. | Type |
|------|-----|----|-----|----|------|----|-----|------|-----|-----|------------|----------|---------|
| MS9 | 115 | 90 | 8.5 | 25 | 90.5 | M8 | 162 | 81.3 | 8.3 | 145 | 220 | 552948 | MS9-WPM |

Mounting components MS9

Module connector MS9-MV

- For connecting the modules



Operating and environmental conditions

| | | |
|--|------|-------------|
| Temperature of medium | [°C] | -10 ... +60 |
| Corrosion resistance class CRC ¹⁾ | | 2 |

1) Corrosion resistance class CRC 2 to Festo standard FN 940070

Moderate corrosion stress. Indoor applications in which condensation can occur. External visible parts with primarily decorative surface requirements which are in direct contact with a normal industrial environment.

Materials

| | |
|--------------------|-------------------------|
| Module connector | Die-cast aluminium |
| Hollow bolt | Die-cast aluminium |
| Screws | Steel |
| Seals | NBR |
| Note on materials: | RoHS-compliant |
| | Free of copper and PTFE |

Ordering data

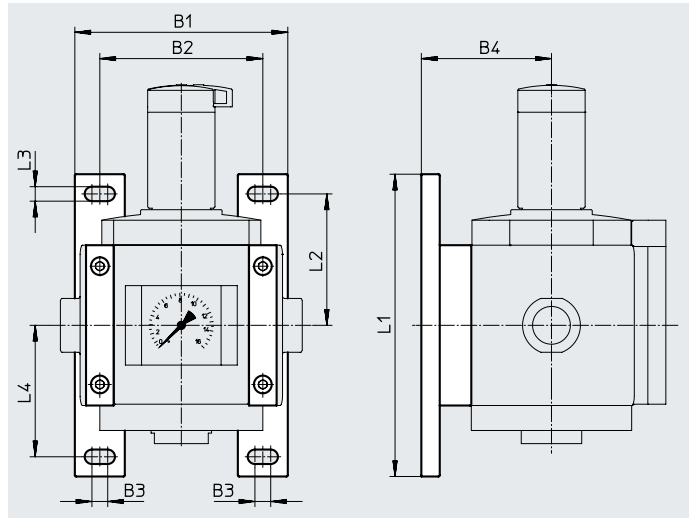
| Size | Weight [g] | Part no. | Type |
|------|---------------|----------|--------|
| MS9 | 110 | 552950 | MS9-MV |

Mounting components MS12

Mounting bracket MS12-WP

(order code: WP)

- For connecting the modules for wall mounting
- In combination with connecting plate for wall mounting an individual component



Operating and environmental conditions

| | | |
|--|------|-------------|
| Temperature of medium | [°C] | -10 ... +60 |
| Storage temperature | [°C] | -10 ... +60 |
| Corrosion resistance class CRC ¹⁾ | | 2 |

1) Corrosion resistance class CRC 2 to Festo standard FN 940070

Moderate corrosion stress. Indoor applications in which condensation can occur. External visible parts with primarily decorative surface requirements which are in direct contact with a normal industrial environment.

Materials

| | |
|--------------------|-------------------------|
| Bracket | Die-cast aluminium |
| Plate | Die-cast aluminium |
| Screws | Steel |
| Seals | NBR |
| Note on materials: | RoHS-compliant |
| | Free of copper and PTFE |

Dimensions and ordering data

| Size | B1 | B2 | B3 | B4 | L1 | L2 | L3 | L4 | Weight [g] | Part no. | Type |
|------|-----|-----|----|----|-----|-----|----|-----|------------|----------|---------|
| MS12 | 162 | 124 | 12 | 99 | 230 | 100 | 11 | 100 | 700 | 537133 | MS12-WP |

Mounting components MS12

Module connector MS12-MV

- For connecting the modules



Operating and environmental conditions

| | | |
|--|------|-------------|
| Temperature of medium | [°C] | -10 ... +60 |
| Storage temperature | [°C] | -10 ... +60 |
| Corrosion resistance class CRC ¹⁾ | | 2 |

1) Corrosion resistance class CRC 2 to Festo standard FN 940070

Moderate corrosion stress. Indoor applications in which condensation can occur. External visible parts with primarily decorative surface requirements which are in direct contact with a normal industrial environment.

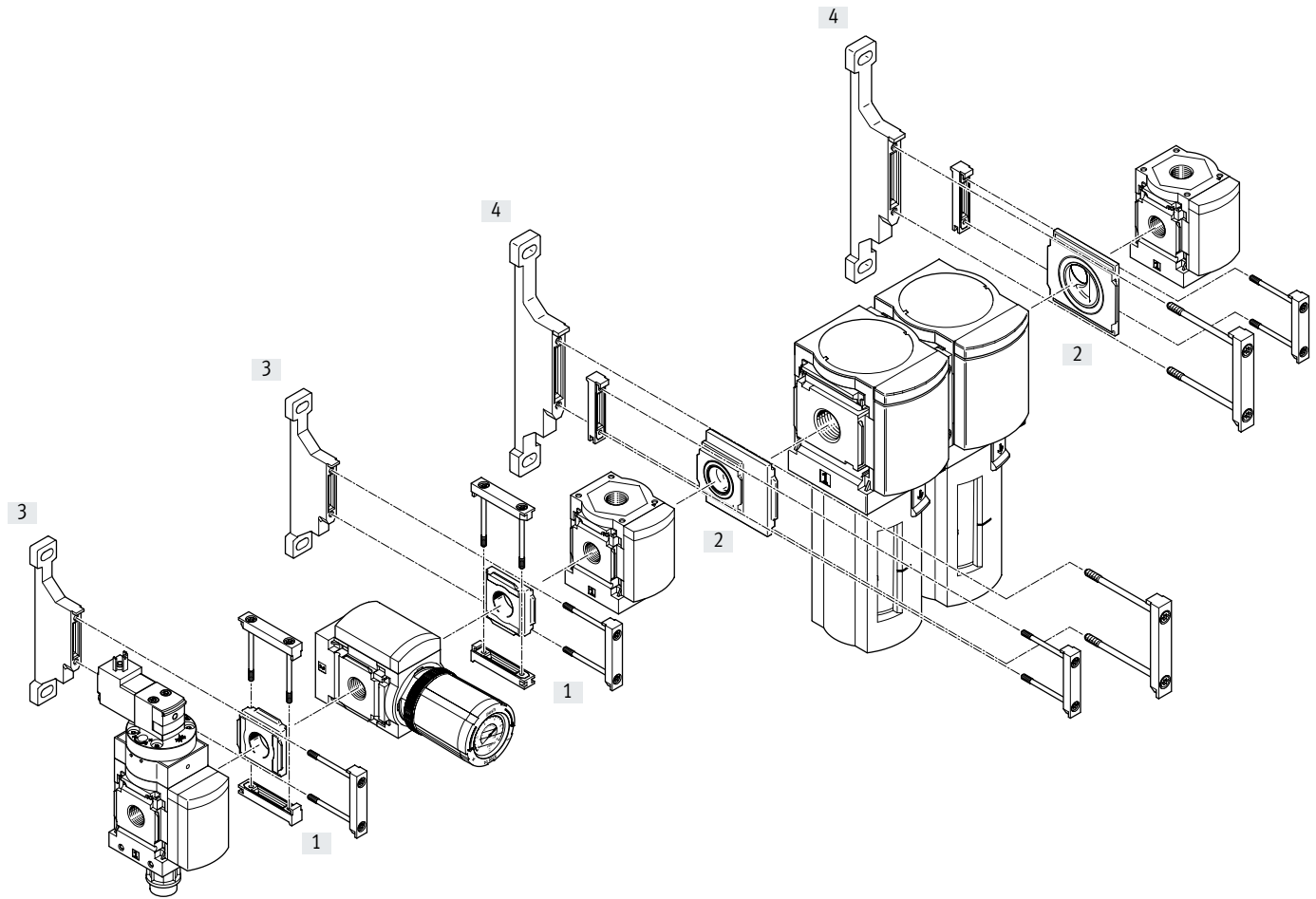
Materials

| | |
|--------------------|-------------------------|
| Plate | Die-cast aluminium |
| Screws | Steel |
| Seals | NBR |
| Note on materials: | RoHS-compliant |
| | Free of copper and PTFE |

Ordering data


| Size | Weight [g] | Part no. | Type |
|------|------------|----------|---------|
| MS12 | 500 | 537134 | MS12-MV |

Mounting components MS4, MS6



Mounting components

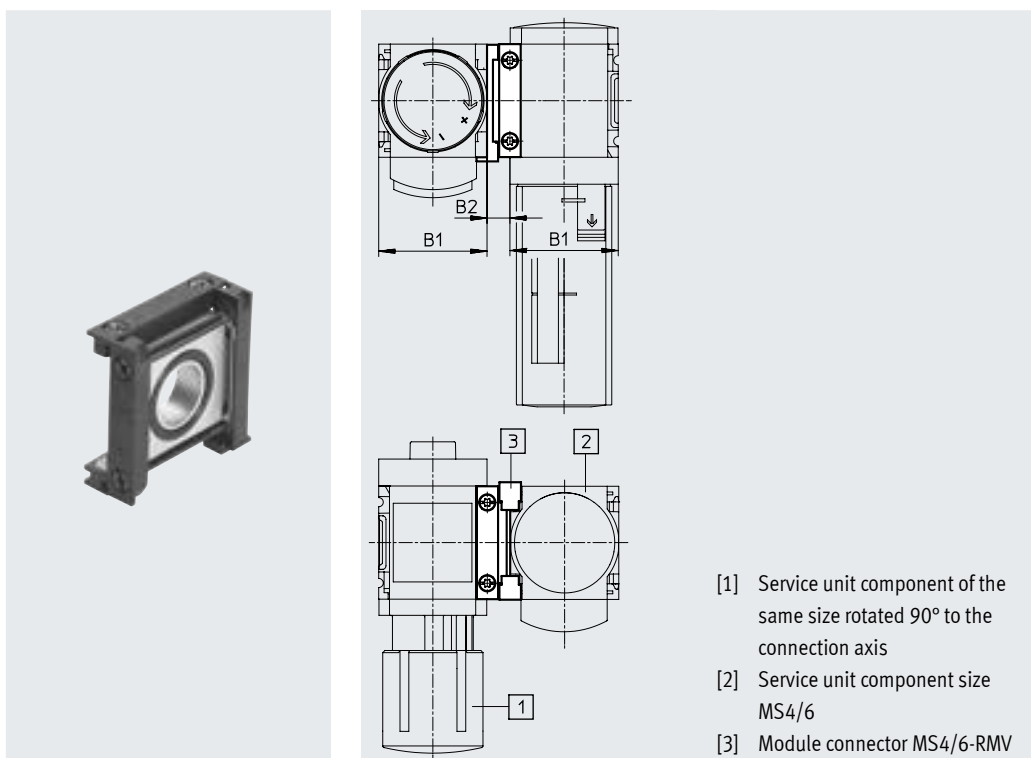
| | | → Page/Internet |
|-----|-------------------------------|-----------------|
| [1] | Module connector MS4/6-RMV | 27 |
| [2] | Module connector MS4-6-AMV | 28 |
| [3] | Mounting bracket MS4-WP | 11 |
| [4] | Mounting bracket MS6-WP | 11 |

 **Note**
Mounting components for wall
mounting → page 10

Mounting components MS4, MS6

Module connector MS4/6-RMV

- For connecting service unit components rotated 90° to the connection axis



- [1] Service unit component of the same size rotated 90° to the connection axis
- [2] Service unit component size MS4/6
- [3] Module connector MS4/6-RMV

Operating and environmental conditions

| | |
|--|-------------|
| Temperature of medium [°C] | -10 ... +60 |
| Corrosion resistance class CRC ¹⁾ | 2 |

1) Corrosion resistance class CRC 2 to Festo standard FN 940070

Moderate corrosion stress. Indoor applications in which condensation can occur. External visible parts with primarily decorative surface requirements which are in direct contact with a normal industrial environment.

Materials

| | |
|--------------------|--------------------|
| Connecting plate | Die-cast aluminium |
| Module connector | Die-cast aluminium |
| Sealing ring | NBR |
| Note on materials: | RoHS-compliant |

Dimensions and ordering data

| Size | B1 | B2 | Weight [g] | Part no. | Type |
|------|------|-----|------------|----------|---------|
| MS4 | 40.2 | 8.5 | 42 | 543490 | MS4-RMV |
| MS6 | 62 | 11 | 112 | 543491 | MS6-RMV |


For use in potentially explosive areas in zones 2 and 22

| | | | | | |
|-----|------|-----|-----|--------|------------|
| MS4 | 40.2 | 8.5 | 42 | 563393 | MS4-RMV-EX |
| MS6 | 62 | 11 | 112 | 563394 | MS6-RMV-EX |

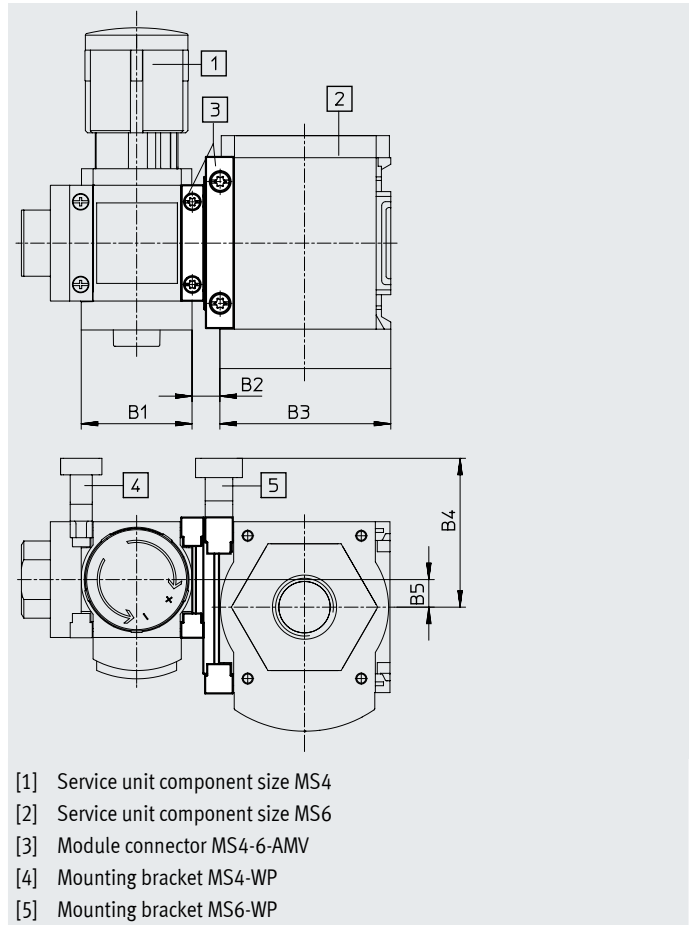
Mounting components MS4, MS6

Module connector MS4-6-AMV

- For connecting MS4 and MS6 components into one unit

 **Note**

The larger mounting bracket should always be used on the module connector. The mounting bracket must be ordered separately.



- [1] Service unit component size MS4
- [2] Service unit component size MS6
- [3] Module connector MS4-6-AMV
- [4] Mounting bracket MS4-WP
- [5] Mounting bracket MS6-WP

Operating and environmental conditions

| | |
|--|-------------|
| Temperature of medium [°C] | -10 ... +60 |
| Corrosion resistance class CRC ¹⁾ | 2 |

1) Corrosion resistance class CRC 2 to Festo standard FN 940070

Moderate corrosion stress. Indoor applications in which condensation can occur. External visible parts with primarily decorative surface requirements which are in direct contact with a normal industrial environment.

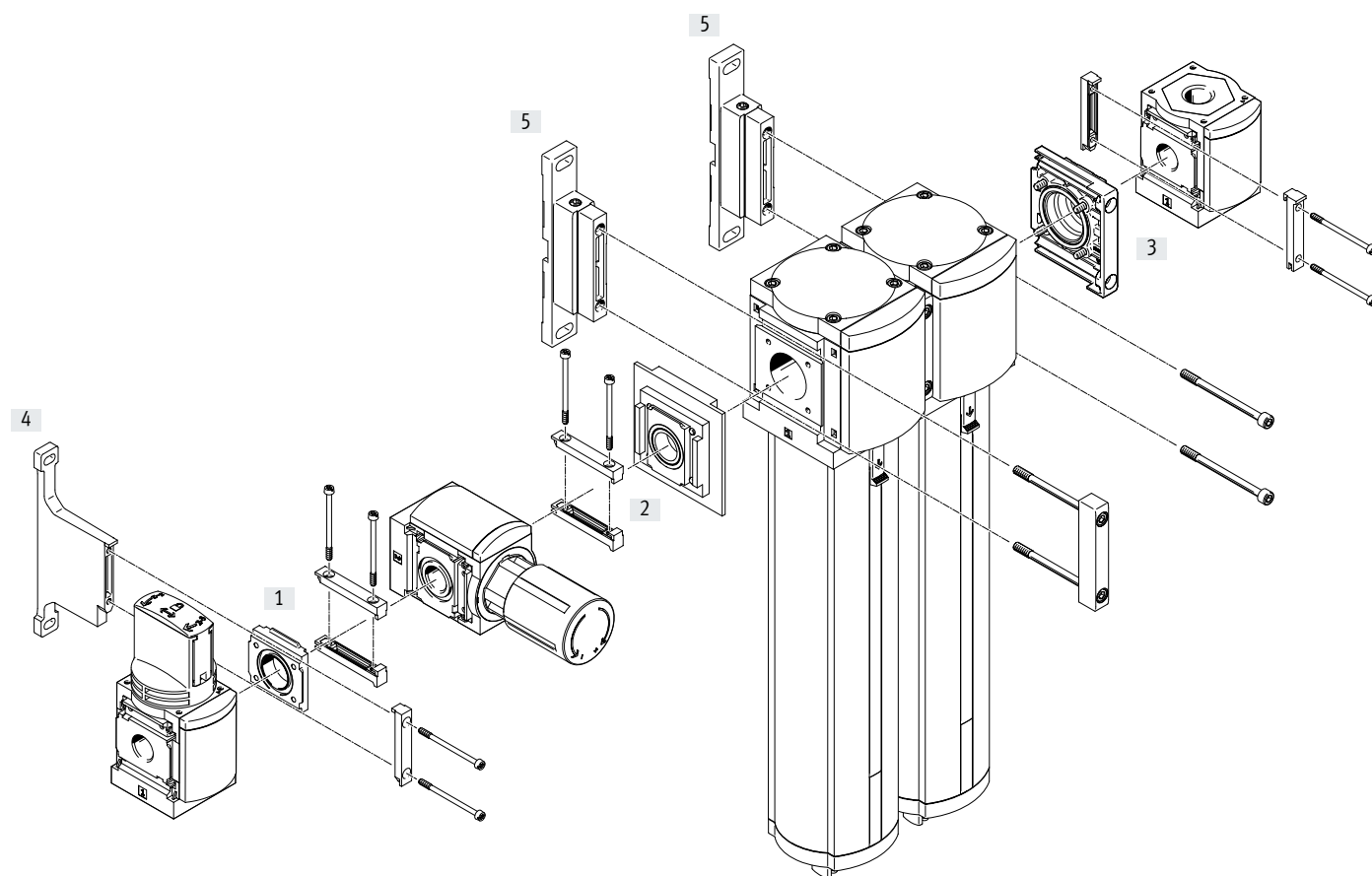
Materials

| | |
|--------------------|--------------------|
| Connecting plate | Die-cast aluminium |
| Module connector | Die-cast aluminium |
| Sealing ring | NBR |
| Note on materials: | RoHS-compliant |

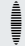
Dimensions and ordering data

| Size | B1 | B2 | B3 | B4 | B5 | Weight [g] | Part no. | Type |
|---|------|----|----|------|----|------------|----------|--------------|
| MS4/6 | 40.2 | 10 | 62 | 54.1 | 10 | 77 | 543489 | MS4-6-AMV |
| For use in potentially explosive areas in zones 2 and 22 | | | | | | | | |
| MS4/6 | 40.2 | 10 | 62 | 54.1 | 10 | 77 | 563392 | MS4-6-AMV-EX |

Mounting components MS6/MS9




| Mounting components | | → Page/Internet |
|---------------------|--------------------------------|-----------------|
| [1] | Module connector MS6-RMV | 27 |
| [2] | Module connector MS6-9-ARMV | 31 |
| [3] | Module connector MS6-9-AMV | 30 |
| [4] | Mounting bracket MS6-WPB | 12 |
| [5] | Mounting bracket MS9-WPM | 22 |

-  - **Note**
 Same wall gap when using mounting brackets MS6-WPB and MS9-WPM within an MS6/9 combination.

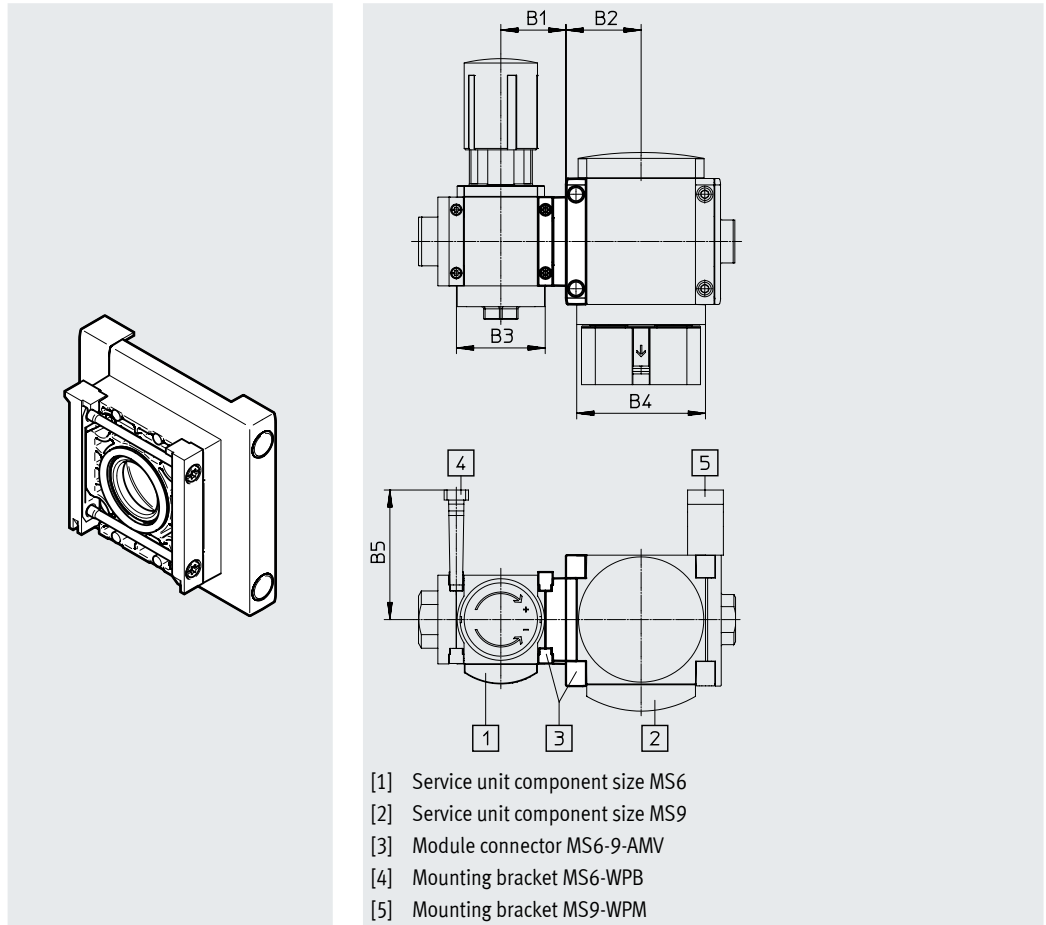
Module connector MS6/MS9

Module connector MS6-9-AMV

- For connecting MS6 and MS9 components into one unit
- Mounting with mounting bracket possible

 **Note**

The larger mounting bracket should always be used on the module connector. The mounting bracket must be ordered separately.



- [1] Service unit component size MS6
- [2] Service unit component size MS9
- [3] Module connector MS6-9-AMV
- [4] Mounting bracket MS6-WPB
- [5] Mounting bracket MS9-WPM

Operating and environmental conditions

| | |
|--|-------------|
| Temperature of medium [°C] | -10 ... +60 |
| Corrosion resistance class CRC ¹⁾ | 2 |

1) Corrosion resistance class CRC 2 to Festo standard FN 940070

Moderate corrosion stress. Indoor applications in which condensation can occur. External visible parts with primarily decorative surface requirements which are in direct contact with a normal industrial environment.

Materials

| | |
|--------------------|-------------------------|
| Connecting plate | Die-cast aluminium |
| Module connector | Die-cast aluminium |
| Screws | Steel |
| Seals | NBR |
| Note on materials: | RoHS-compliant |
| | Free of copper and PTFE |

Dimensions and ordering data

| Size | B1 | B2 | B3 | B4 | B5 | Weight [g] | Part no. | Type |
|--|------|------|----|----|------|------------|----------|--------------|
| MS6/9 | 45.5 | 52.5 | 62 | 90 | 90.5 | 220 | 3426895 | MS6-9-AMV |
| For use in potentially explosive areas in zones 1, 2, 21 and 22 | | | | | | | | |
| MS6/9 | 45.5 | 52.5 | 62 | 90 | 90.5 | 220 | 3433264 | MS6-9-AMV-EX |

Module connector MS6/MS9

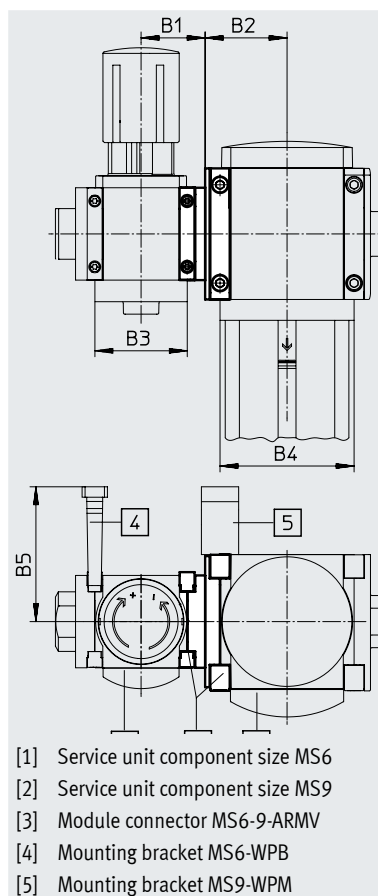
Module connector MS6-9-ARMV

- For connecting MS6 and MS9 components into one unit
- Rotating a service unit component 90° to the connection axis possible



Note

The larger mounting bracket should always be used on the module connector. The mounting bracket must be ordered separately.



Operating and environmental conditions

| | |
|--|-------------|
| Temperature of medium [°C] | -10 ... +60 |
| Corrosion resistance class CRC ¹⁾ | 2 |

1) Corrosion resistance class CRC 2 to Festo standard FN 940070

Moderate corrosion stress. Indoor applications in which condensation can occur. External visible parts with primarily decorative surface requirements which are in direct contact with a normal industrial environment.

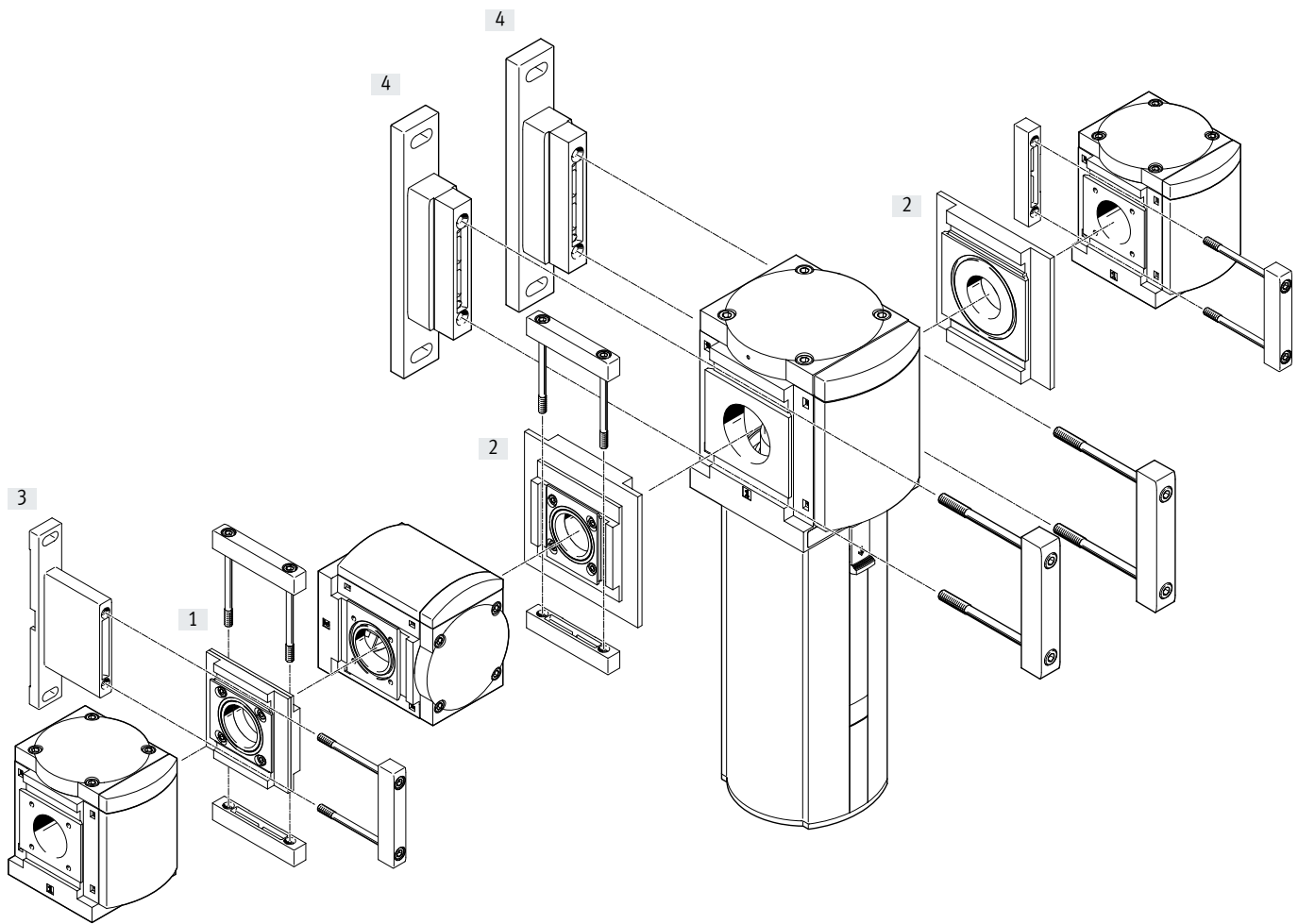
Materials

| | |
|--------------------|-------------------------|
| Connecting plate | Die-cast aluminium |
| Module connector | Die-cast aluminium |
| Screws | Steel |
| Seals | NBR |
| Note on materials: | RoHS-compliant |
| | Free of copper and PTFE |

Dimensions and ordering data

| Size | B1 | B2 | B3 | B4 | B5 | Weight [g] | Part no. | Type |
|--|----|----|----|----|------|------------|----------|---------------|
| MS6/9 | 43 | 55 | 62 | 90 | 90.5 | 350 | 552951 | MS6-9-ARMV |
| For use in potentially explosive areas in zones 1, 2, 21 and 22 | | | | | | | | |
| MS6/9 | 43 | 55 | 62 | 90 | 90.5 | 350 | 1758175 | MS6-9-ARMV-EX |

Mounting components MS9/MS12



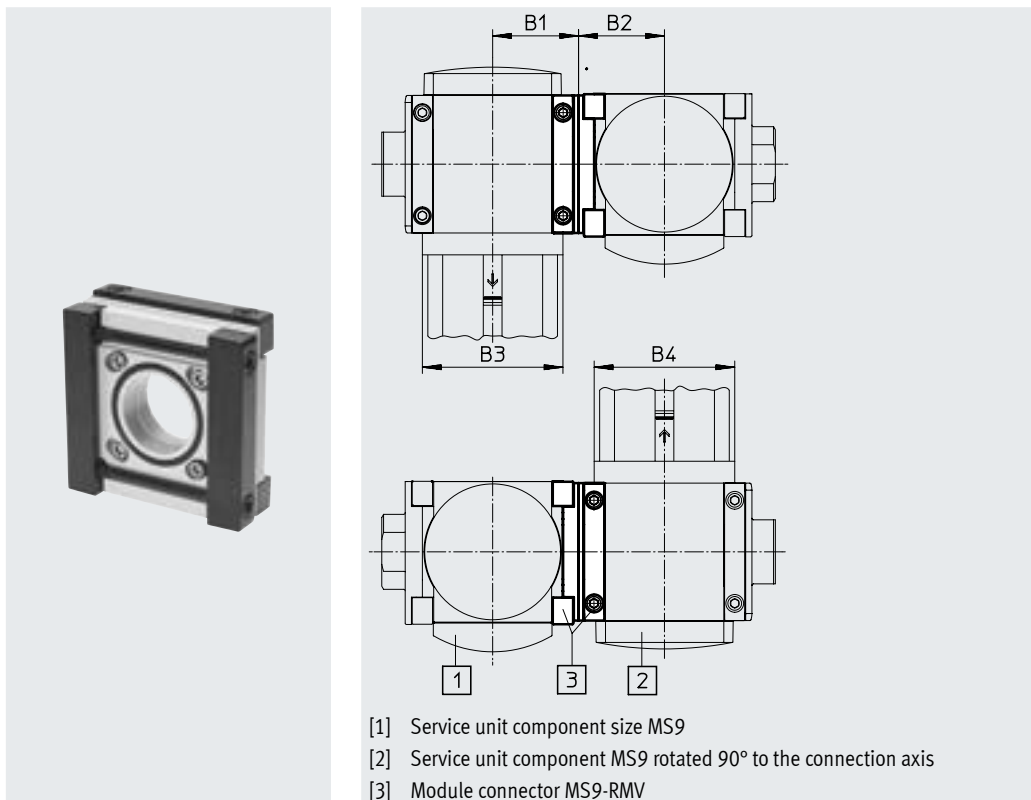
Mounting components

| | | → Page/Internet |
|-----|---------------------------------|-----------------|
| [1] | Module connector MS9-RMV | 33 |
| [2] | Module connector MS9-12-ARMV | 34 |
| [3] | Mounting bracket MS9-WPB | 21 |
| [4] | Mounting bracket MS12-WP | 24 |

Mounting components MS9/MS12

Module connector MS9-RMV

- For connecting service unit components rotated 90° to the connection axis



Operating and environmental conditions

| | |
|--|-------------|
| Temperature of medium [°C] | -10 ... +60 |
| Corrosion resistance class CRC ¹⁾ | 2 |

1) Corrosion resistance class CRC 2 to Festo standard FN 940070

Moderate corrosion stress. Indoor applications in which condensation can occur. External visible parts with primarily decorative surface requirements which are in direct contact with a normal industrial environment.

Materials

| | |
|--------------------|-------------------------|
| Connecting plate | Die-cast aluminium |
| Module connector | Die-cast aluminium |
| Screws | Steel |
| Seals | NBR |
| Note on materials: | RoHS-compliant |
| | Free of copper and PTFE |


Dimensions and ordering data

| Size | B1 | B2 | B3 | B4 | Weight [g] | Part no. | Type |
|------|----|----|----|----|------------|----------|---------|
| MS9 | 55 | 55 | 90 | 90 | 920 | 552952 | MS9-RMV |

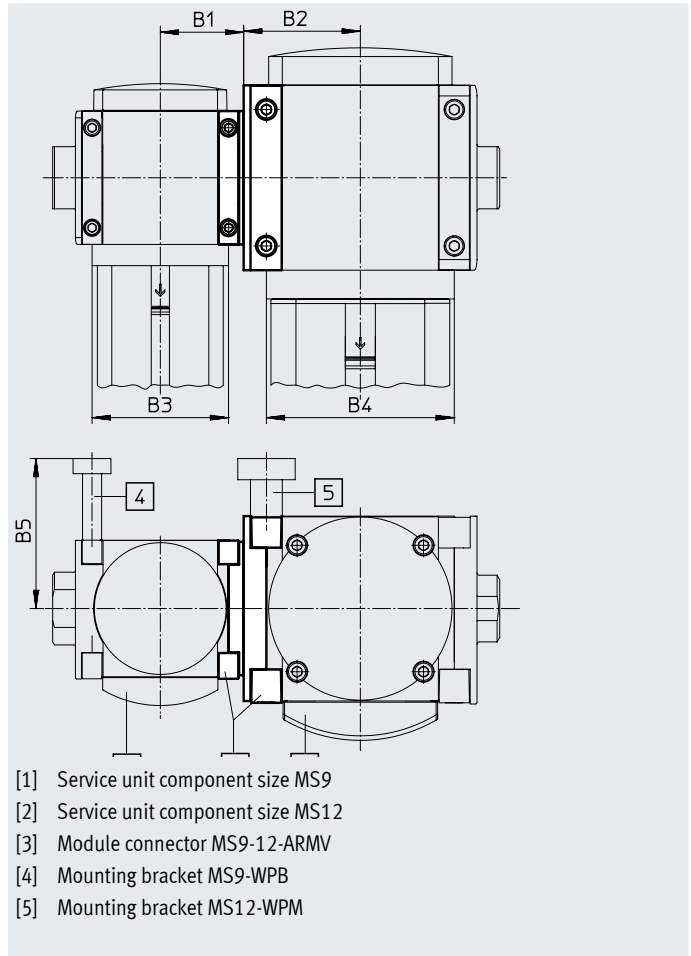
Mounting components MS9/MS12

Module connector MS9-12-ARMV

- For connecting MS9 and MS12 components into one unit
- Rotating a service unit component 90° to the connection axis possible

 **Note**

The larger mounting bracket should always be used on the module connector. The mounting bracket must be ordered separately.



Operating and environmental conditions

| | | |
|--|------|-------------|
| Temperature of medium | [°C] | -10 ... +60 |
| Corrosion resistance class CRC ¹⁾ | | 2 |

1) Corrosion resistance class CRC 2 to Festo standard FN 940070

Moderate corrosion stress. Indoor applications in which condensation can occur. External visible parts with primarily decorative surface requirements which are in direct contact with a normal industrial environment.

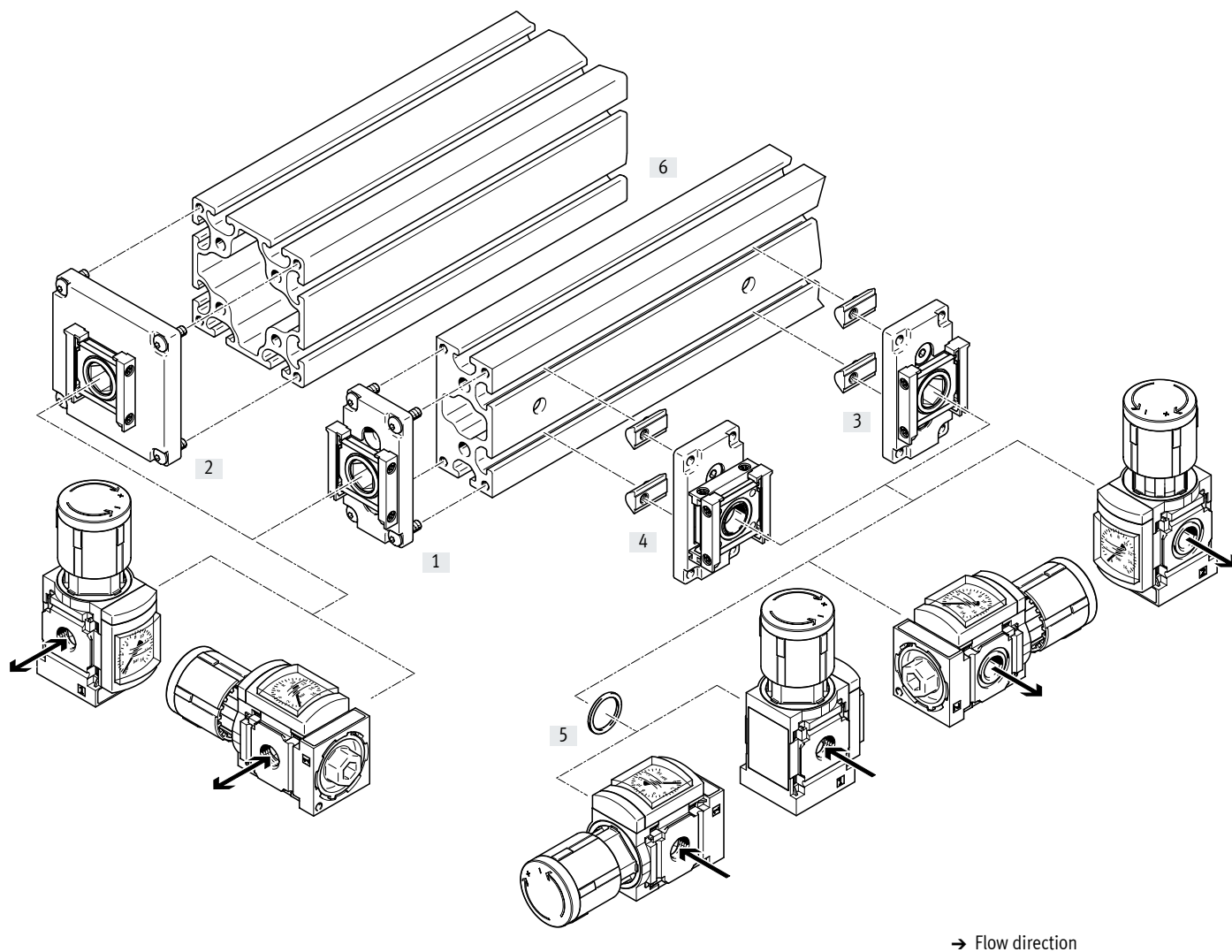
Materials

| | |
|--------------------|-------------------------|
| Connecting plate | Die-cast aluminium |
| Module connector | Die-cast aluminium |
| Screws | Steel |
| Seals | NBR |
| Note on materials: | RoHS-compliant |
| | Free of copper and PTFE |

Dimensions and ordering data

| Size | B1 | B2 | B3 | B4 | B5 | Weight [g] | Part no. | Type |
|--------|----|----|----|-----|----|------------|----------|-------------|
| MS9/12 | 55 | 77 | 90 | 124 | 99 | 990 | 552953 | MS9-12-ARMV |

Mounting components MS4, MS6



| Mounting components | | → Page/Internet |
|---------------------|--|-----------------|
| [1] | Power supply module MS4/6-E-IPM-40-80 | 36 |
| [2] | Power supply module MS4/6-E-IPM-80-80 | 37 |
| [3] | Branching module MS4/6-A-IPM-80 | 38 |
| [4] | Branching module MS4/6-A-RMV-IPM-80 | 39 |
| [5] | Sealing ring MS4/6-NNR | 40 |
| [6] | Profile 40x80/80x80, closing plate, supply plate | On request |

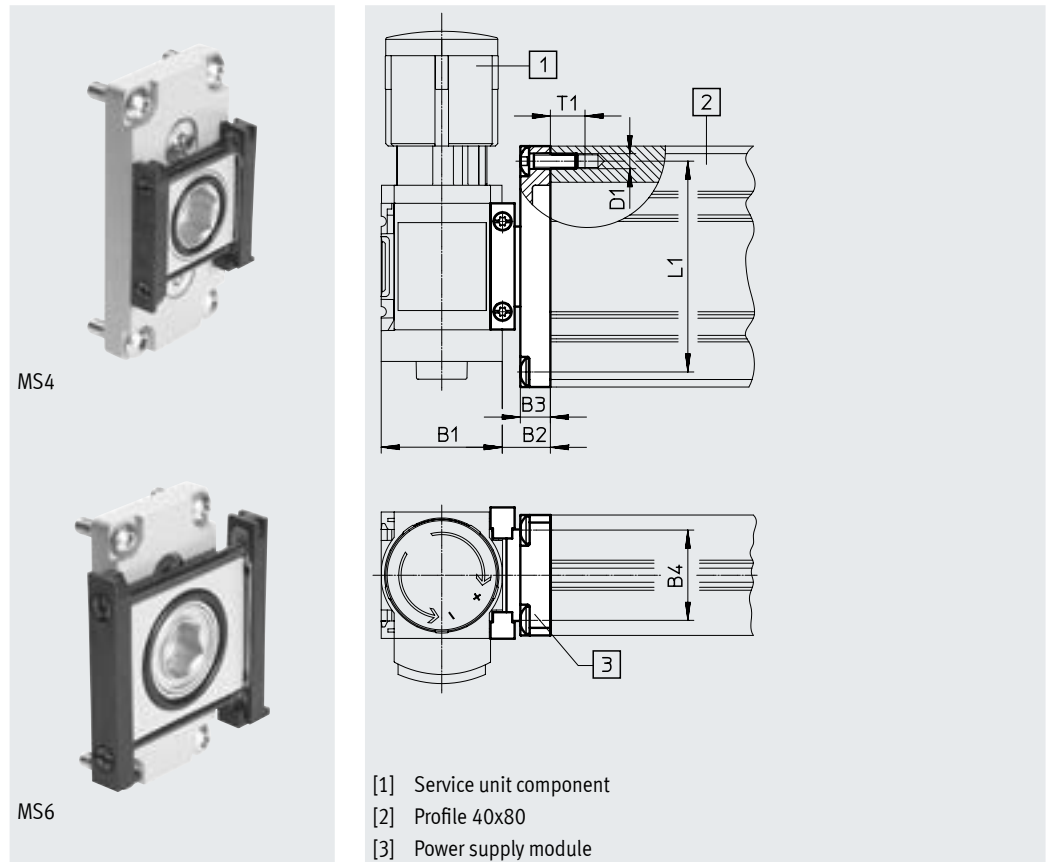
Note
Additional mounting components are required for mounting a service unit combination → page 10

Mounting components MS4, MS6

Power supply module

MS4/6-E-IPM-40-80

- For mounting a service unit component on the end face of a profile of size 40x80
- Module connector can be rotated 90° for horizontal mounting of the service unit component



- [1] Service unit component
 [2] Profile 40x80
 [3] Power supply module

Operating and environmental conditions

| | |
|--|-------------|
| Temperature of medium [°C] | -10 ... +60 |
| Corrosion resistance class CRC ¹⁾ | 2 |

1) Corrosion resistance class CRC 2 to Festo standard FN 940070

Moderate corrosion stress. Indoor applications in which condensation can occur. External visible parts with primarily decorative surface requirements which are in direct contact with a normal industrial environment.

Materials

| | |
|--------------------|--------------------|
| Connecting plate | Die-cast aluminium |
| Module connector | Die-cast aluminium |
| Hollow bolt | Die-cast aluminium |
| Screws | Steel |
| Seals | NBR |
| Note on materials: | RoHS-compliant |

Dimensions and ordering data

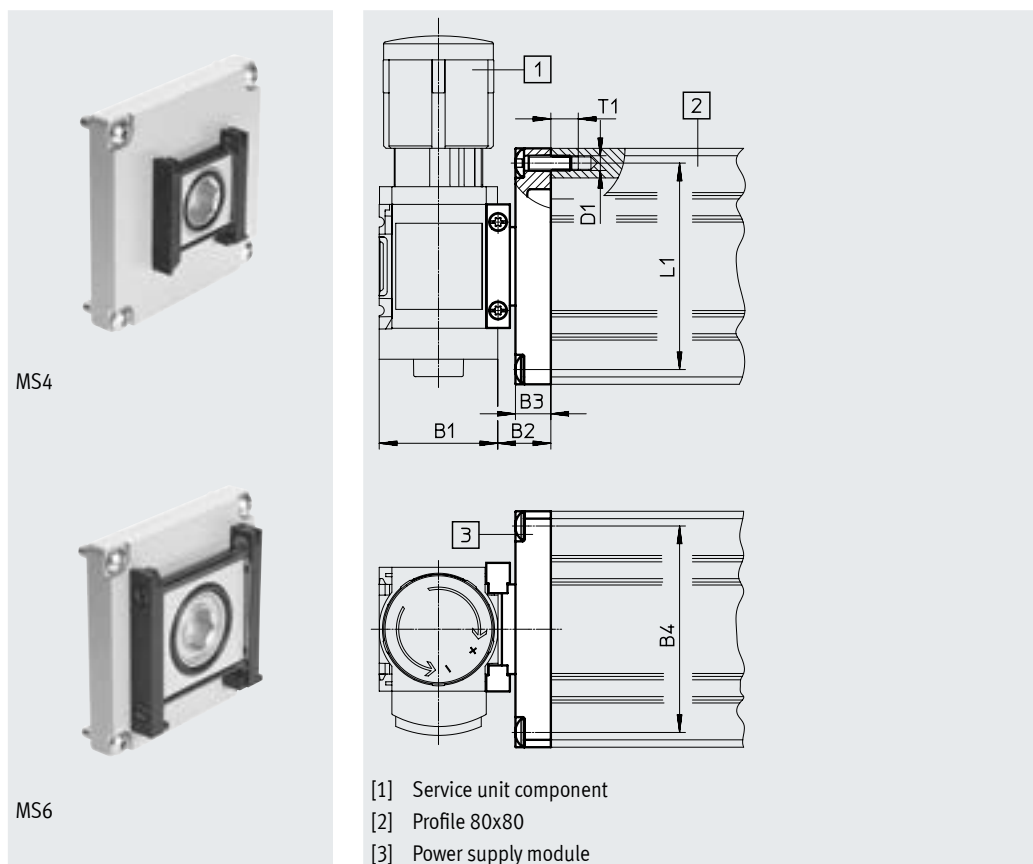
| Size | B1 | B2 | B3 | B4 | D1 | L1 | T1 | Weight [g] | Part no. | Type |
|------|------|----|----|---------|----|---------|------|------------|----------|-----------------|
| MS4 | 40.2 | 16 | 10 | 30 ±0.2 | M5 | 70 ±0.2 | 11.5 | 109 | 543494 | MS4-E-IPM-40-80 |
| MS6 | 62 | 16 | 10 | 30 ±0.2 | M5 | 70 ±0.2 | 11.5 | 141 | 543496 | MS6-E-IPM-40-80 |

Mounting components MS4, MS6

Power supply module

MS4/6-E-IPM-80-80

- For mounting a service unit component on the end face of a profile of size 80x80
- Module connector can be rotated 90° for horizontal mounting of the service unit component



Operating and environmental conditions

| | | |
|--|------|-------------|
| Temperature of medium | [°C] | -10 ... +60 |
| Corrosion resistance class CRC ¹⁾ | | 2 |

1) Corrosion resistance class CRC 2 to Festo standard FN 940070

Moderate corrosion stress. Indoor applications in which condensation can occur. External visible parts with primarily decorative surface requirements which are in direct contact with a normal industrial environment.

Materials

| | |
|--------------------|--------------------|
| Connecting plate | Die-cast aluminium |
| Module connector | Die-cast aluminium |
| Hollow bolt | Die-cast aluminium |
| Screws | Steel |
| Seals | NBR |
| Note on materials: | RoHS-compliant |

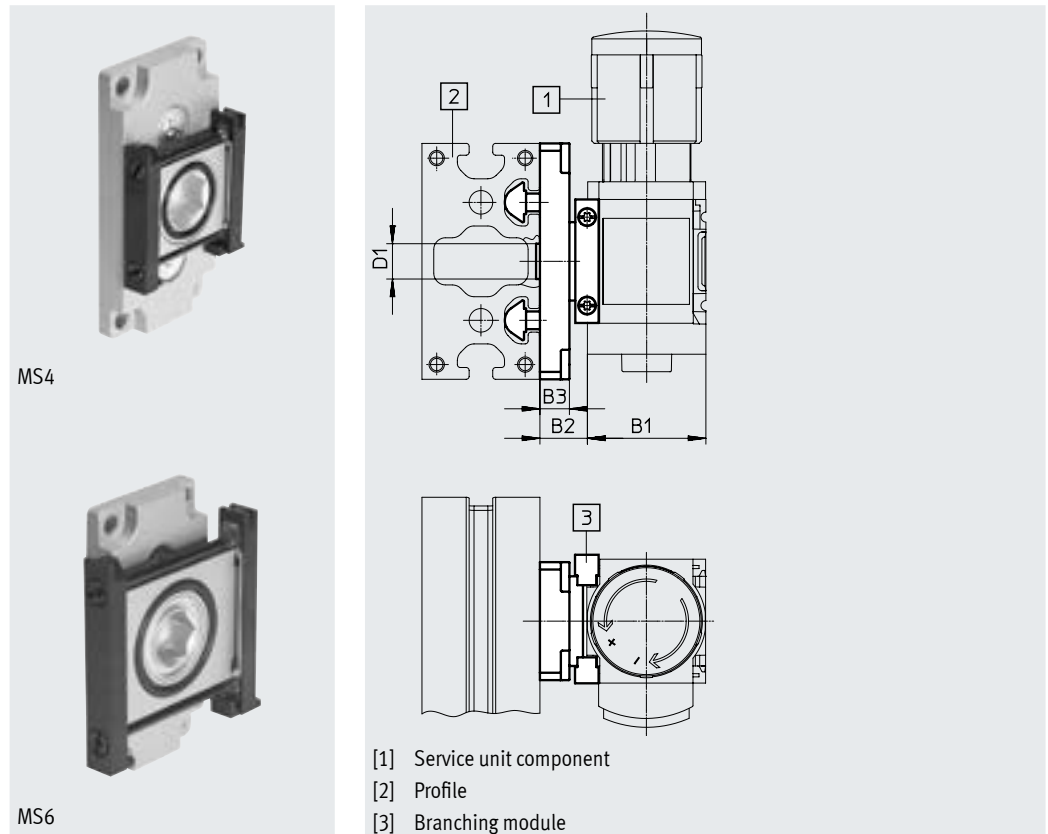
Dimensions and ordering data

| Size | B1 | B2 | B3 | B4 | D1 | L1 | T1 | Weight [g] | Part no. | Type |
|------|------|----|----|---------|----|---------|-----|------------|----------|-----------------|
| MS4 | 40.2 | 18 | 12 | 70 ±0.2 | M5 | 70 ±0.2 | 9.3 | 186 | 543495 | MS4-E-IPM-80-80 |
| MS6 | 62 | 18 | 12 | 70 ±0.2 | M5 | 70 ±0.2 | 9.3 | 218 | 543497 | MS6-E-IPM-80-80 |

Mounting components MS4, MS6

Branching module MS4/6-A-IPM-80

- For mounting a service unit component on the longitudinal side of a profile
- Module connector can be rotated 90° for horizontal mounting of the service unit component



Operating and environmental conditions

| | |
|--|-------------|
| Temperature of medium [°C] | -10 ... +60 |
| Corrosion resistance class CRC ¹⁾ | 2 |

1) Corrosion resistance class CRC 2 to Festo standard FN 940070

Moderate corrosion stress. Indoor applications in which condensation can occur. External visible parts with primarily decorative surface requirements which are in direct contact with a normal industrial environment.

Materials

| | |
|--------------------|--------------------|
| Connecting plate | Die-cast aluminium |
| Module connector | Die-cast aluminium |
| Hollow bolt | Die-cast aluminium |
| Screws | Steel |
| Seals | NBR |
| Note on materials: | RoHS-compliant |

Dimensions and ordering data

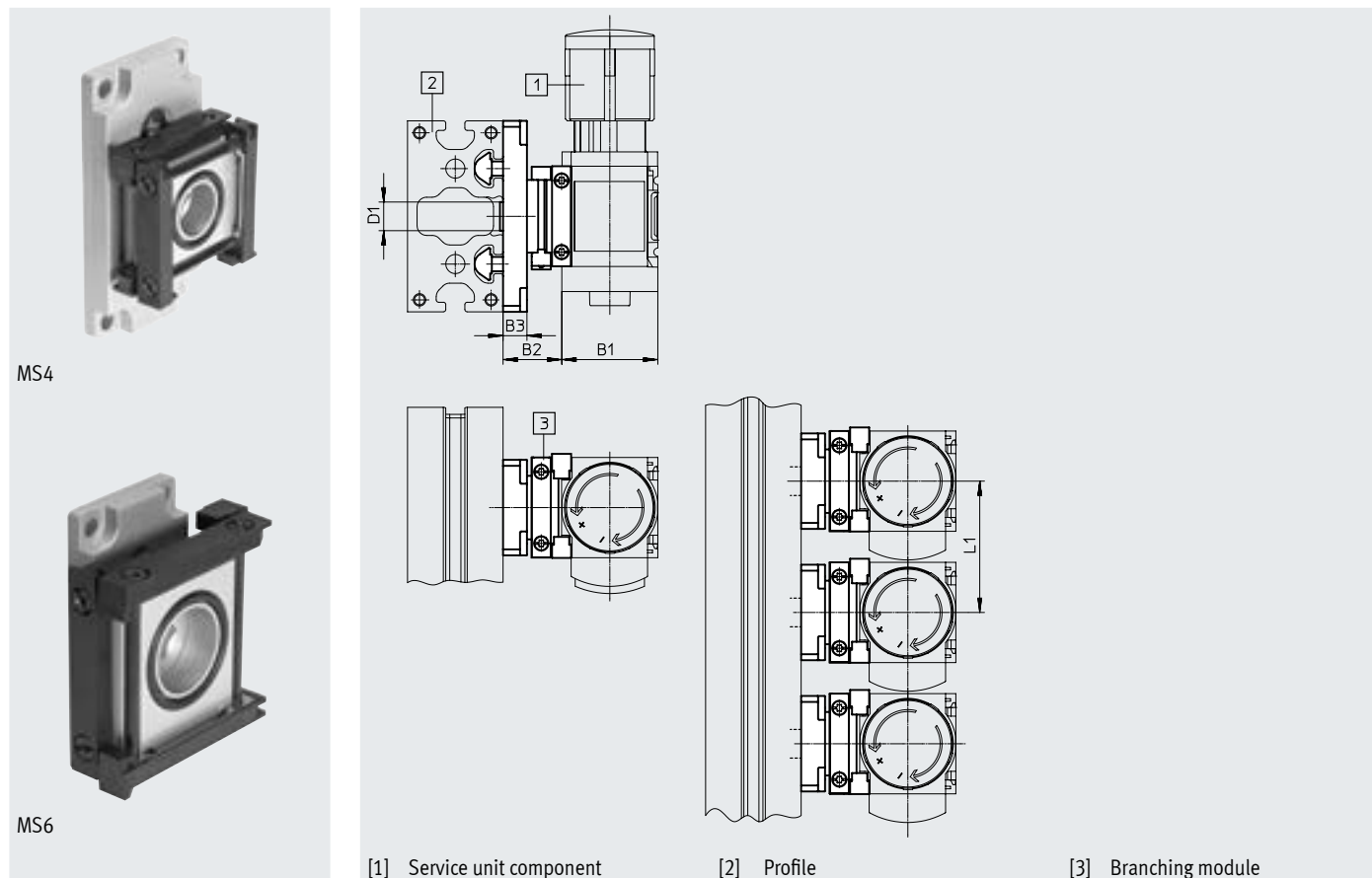
| Size | B1 | B2 | B3 | D1 ∅ | Weight [g] | Part no. | Type |
|------|------|----|----|-----------|---------------|----------|--------------|
| MS4 | 40.2 | 16 | 10 | 11.8 ±0.1 | 124 | 543498 | MS4-A-IPM-80 |
| MS6 | 62 | 16 | 10 | 11.8 ±0.1 | 156 | 543499 | MS6-A-IPM-80 |

Mounting components MS4, MS6

Branching module

MS4/6-A-RMV-IPM-80

- For mounting a service unit component on the longitudinal side of a profile
- Suitable for block mounting (module connector fittings are accessible from above, allowing quick replacement of an individual component)
- Module connector can be rotated 90° for horizontal mounting of the service unit component



[1] Service unit component

[2] Profile

[3] Branching module

Operating and environmental conditions

| | |
|--|-------------|
| Temperature of medium [°C] | -10 ... +60 |
| Corrosion resistance class CRC ¹⁾ | 2 |

1) Corrosion resistance class CRC 2 to Festo standard FN 940070

Moderate corrosion stress. Indoor applications in which condensation can occur. External visible parts with primarily decorative surface requirements which are in direct contact with a normal industrial environment.

Materials

| | |
|--------------------|--------------------|
| Connecting plate | Die-cast aluminium |
| Module connector | Die-cast aluminium |
| Hollow bolt | Die-cast aluminium |
| Screws | Steel |
| Seals | NBR |
| Note on materials: | RoHS-compliant |

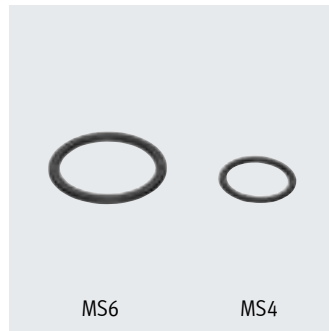
Dimensions and ordering data

| Size | B1 | B2 | B3 | D1 ∅ | L1 min. | Weight [g] | Part no. | Type |
|------|------|------|----|-----------|------------|---------------|----------|------------------|
| MS4 | 40.2 | 24.5 | 10 | 11.8 ±0.1 | 55 | 150 | 543500 | MS4-A-RMV-IPM-80 |
| MS6 | 62 | 27 | 10 | 11.8 ±0.1 | 77 | 236 | 543501 | MS6-A-RMV-IPM-80 |

Mounting components MS4, MS6

Sealing ring MS4/6-NNR

- For sealing a branching module
MS-A-IPM when used as a power supply module



Operating and environmental conditions

| | |
|--|-------------|
| Temperature of medium [°C] | -10 ... +60 |
| Corrosion resistance class CRC ¹⁾ | 2 |

1) Corrosion resistance class CRC 2 to Festo standard FN 940070

Moderate corrosion stress. Indoor applications in which condensation can occur. External visible parts with primarily decorative surface requirements which are in direct contact with a normal industrial environment.

Materials

| | |
|--------------------|----------------|
| Sealing ring | NBR |
| Note on materials: | RoHS-compliant |

Ordering data

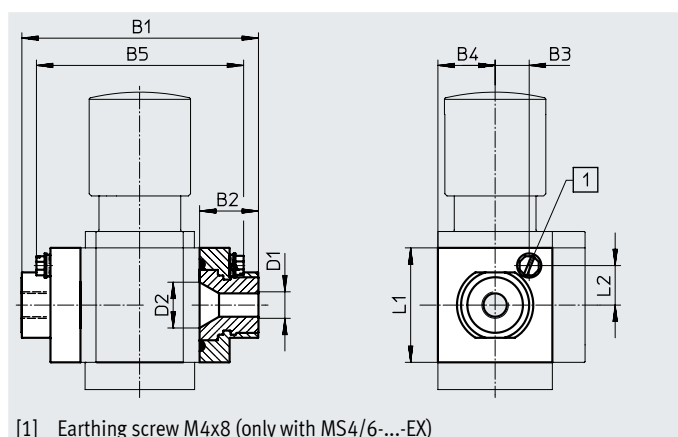
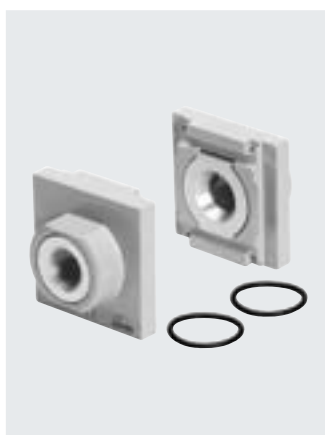
| Size | Part no. | Type |
|------|----------|---------|
| MS4 | 543492 | MS4-NNR |
| MS6 | 543493 | MS6-NNR |

Connecting plates MS4, MS6

Connecting plate set MS4/6-AG...

(order code: AG...)

- Adapter for compressed air supply port
- MS6-AGE for implementing threaded connection G3/4



[1] Earthing screw M4x8 (only with MS4/6-...-EX)

Operating and environmental conditions

| | |
|--|-------------|
| Temperature of medium [°C] | -10 ... +60 |
| Corrosion resistance class CRC ¹⁾ | 2 |

1) Corrosion resistance class CRC 2 to Festo standard FN 940070

Moderate corrosion stress. Indoor applications in which condensation can occur. External visible parts with primarily decorative surface requirements which are in direct contact with a normal industrial environment.

Materials

| | |
|--------------------|-------------------------|
| Connecting plate | Die-cast aluminium |
| Seals | NBR |
| Note on materials: | RoHS-compliant |
| | Free of copper and PTFE |

★ Core Range

Dimensions and ordering data

| Size | B1 | B2 | B3 | B4 | B5 | D1 | D2 | L1 | L2 | ≈G 1 | Weight [g] | Part no. | Type |
|------|------|------|----|----|----|------|------|----|----|------|------------|----------|---------|
| MS4 | 83.4 | 21.5 | - | 21 | - | G1/8 | 16.8 | 42 | - | 24 | 128 | 526068 | MS4-AGA |
| | | | | | | G1/4 | | | | 21 | 128 | ★ 526069 | MS4-AGB |
| | | | | | | G3/8 | | | | 24 | 128 | ★ 526070 | MS4-AGC |
| MS6 | 115 | 26.5 | - | 31 | - | G1/4 | 24 | 62 | - | 34 | 300 | 526080 | MS6-AGB |
| | | | | | | G3/8 | | | | 34 | 300 | 526081 | MS6-AGC |
| | | | | | | G1/2 | | | | 26 | 300 | ★ 526082 | MS6-AGD |
| | | | | | | G3/4 | | | | 34 | 300 | ★ 526083 | MS6-AGE |

For use in potentially explosive areas in zones 2 and 22

| | | | | | | | | | | | | | |
|-----|------|------|------|----|------|------|------|----|------|----|-----|--------|------------|
| MS4 | 83.5 | 21.5 | 12.5 | 21 | 72.5 | G1/8 | 16.8 | 42 | 14.5 | 24 | 128 | 541549 | MS4-AGA-EX |
| | | | | | | G1/4 | | | | 21 | 128 | 541550 | MS4-AGB-EX |
| | | | | | | G3/8 | | | | 24 | 128 | 541551 | MS4-AGC-EX |
| MS6 | 115 | 26.5 | 20.5 | 31 | 98.3 | G1/4 | 24 | 62 | 15.5 | 34 | 300 | 541538 | MS6-AGB-EX |
| | | | | | | G3/8 | | | | 34 | 300 | 541539 | MS6-AGC-EX |
| | | | | | | G1/2 | | | | 26 | 300 | 541540 | MS6-AGD-EX |
| | | | | | | G3/4 | | | | 34 | 300 | 541541 | MS6-AGE-EX |

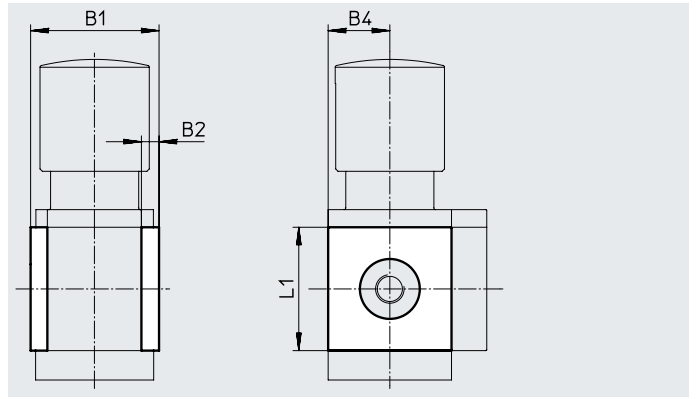
† Note: This product conforms to ISO 1179-1 and ISO 228-1.

Connecting plates MS4, MS6

Cover cap MS4/6-END

- Can be used to cover the sides of the housing for the first and last module if no connecting plates are used.

Material:
Reinforced PA
Free of copper and PTFE



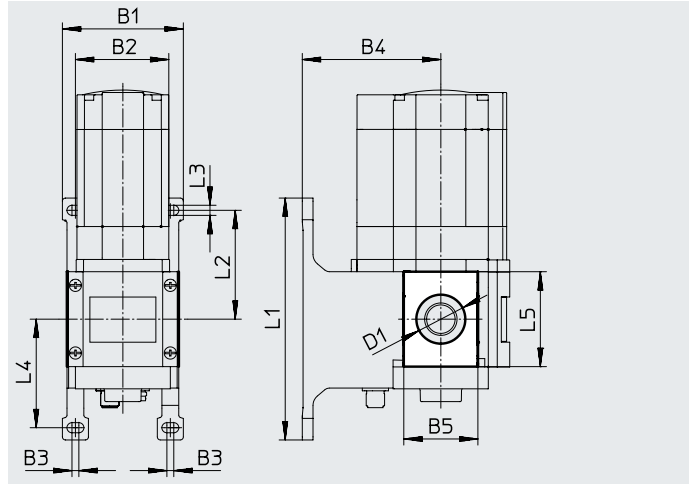
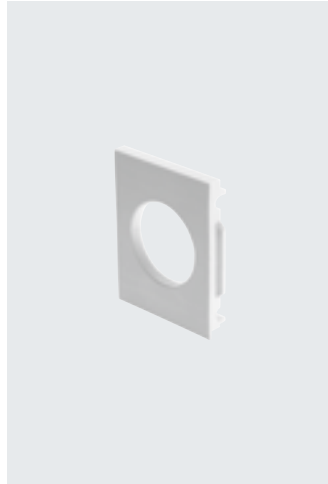
| Dimensions and ordering data | | | | | | |
|------------------------------|------|----|----|----|----------|---------|
| Size | B1 | B2 | B4 | L1 | Part no. | Type |
| MS4 | 43.6 | 6 | 21 | 42 | 538779 | MS4-END |
| MS6 | 67 | 8 | 31 | 62 | 538780 | MS6-END |

Mounting plate MS4/6-AEND

(order code: WBE; scope of delivery includes mounting bracket MS6-WPB)

- In combination with mounting bracket MS-WP or MS-WPB for wall mounting an individual component

Material:
Reinforced PA
RoHS-compliant
Free of copper and PTFE



| Dimensions and ordering data | | | | | | | | | | | | | | | | |
|------------------------------|------|------|-----|----|------|------|---------|-----|------|-----|------|----|-------------------|---------------|----------|----------|
| Size | B1 | B2 | B3 | B4 | | B5 | D1 ø | L1 | L2 | L3 | L4 | L5 | CRC ¹⁾ | Weight [g] | Part no. | Type |
| | | | | WP | WPB | | | | | | | | | | | |
| MS4 | 55.2 | 40.2 | 4 | 44 | 66 | 30.4 | 20.3 | 106 | 46.5 | 5.6 | 46.7 | 42 | 2 | 4 | 542966 | MS4-AEND |
| MS6 | 79 | 62 | 4.5 | 54 | 90.5 | 48.4 | 32 | 158 | 71 | 6.6 | 71 | 62 | 2 | 17 | 535408 | MS6-AEND |

1) Corrosion resistance class CRC 2 to Festo standard FN 940070

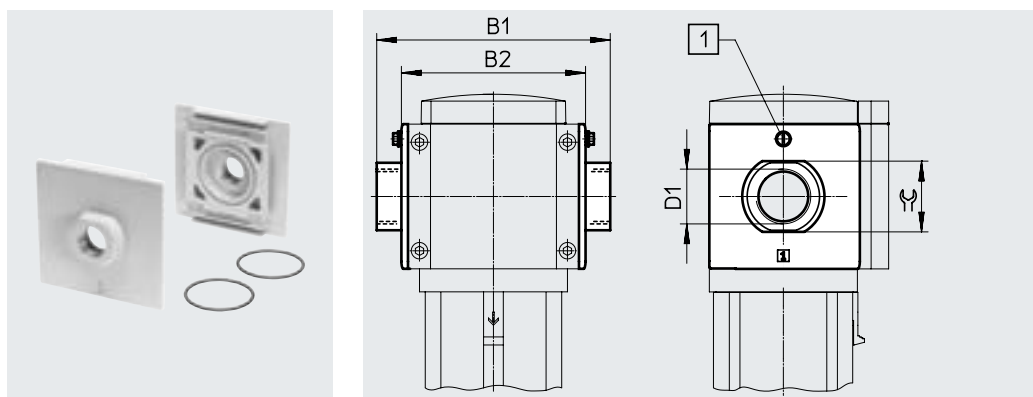
Moderate corrosion stress. Indoor applications in which condensation can occur. External visible parts with primarily decorative surface requirements which are in direct contact with a normal industrial environment.

Connecting plates MS9

Connecting plate set MS9-AG.../MS9-AQ...

(order code: AG.../AQ...)

- Adapter for compressed air supply port



Operating and environmental conditions

| | |
|--|-------------|
| Temperature of medium [°C] | -10 ... +60 |
| Corrosion resistance class CRC ¹⁾ | 2 |

1) Corrosion resistance class CRC 2 to Festo standard FN 940070

Moderate corrosion stress. Indoor applications in which condensation can occur. External visible parts with primarily decorative surface requirements which are in direct contact with a normal industrial environment.

Materials

| | |
|--------------------|---|
| Connecting plate | Die-cast aluminium |
| Hollow bolt | Die-cast aluminium |
| Seals | NBR |
| Note on materials: | RoHS-compliant Free of copper and PTFE |

Dimensions and ordering data

| Size | B1 | B2 | D1 | ⌀ | Weight [g] | Part no. | Type |
|-------------------|-----|-----|-----------|----|------------|----------|---------|
| G thread | | | | | | | |
| MS9 | 132 | 112 | G1/2 | 30 | 300 | 552954 | MS9-AGD |
| | 132 | 112 | G3/4 | 36 | 300 | 552955 | MS9-AGE |
| | 142 | 112 | G1 | 41 | 300 | 552956 | MS9-AGF |
| | 162 | 112 | G1 1/4 | 50 | 400 | 552957 | MS9-AGG |
| | 176 | 112 | G1 1/2 | 55 | 400 | 552958 | MS9-AGH |
| NPT thread | | | | | | | |
| MS9 | 132 | 112 | 1/2 NPT | 30 | 300 | 552959 | MS9-AQR |
| | 132 | 112 | 3/4 NPT | 36 | 300 | 552960 | MS9-AQS |
| | 142 | 112 | 1 NPT | 41 | 300 | 552961 | MS9-AQT |
| | 162 | 112 | 1 1/4 NPT | 50 | 400 | 552962 | MS9-AQU |
| | 176 | 112 | 1 1/2 NPT | 55 | 400 | 552963 | MS9-AQV |

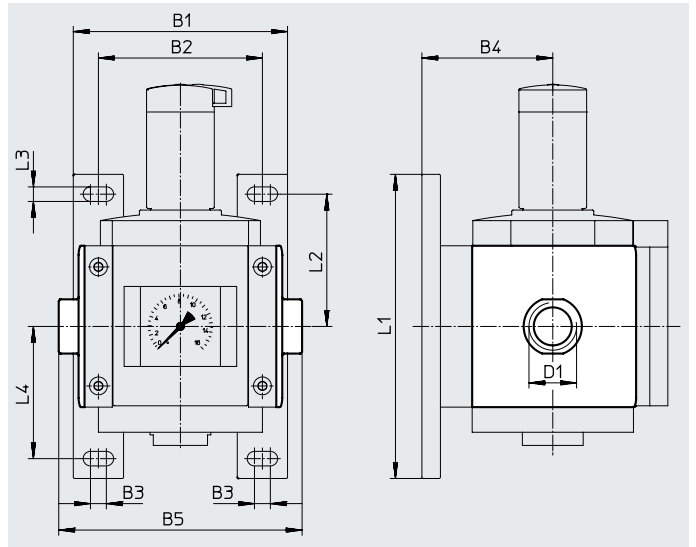
† Note: This product conforms to ISO 1179-1 and ISO 228-1.

Connecting plates MS12

Connecting plate set MS12-AG...

(order code: AG...)

- Adapter for compressed air supply port



Operating and environmental conditions

| | | |
|--|---|--|
| Operating medium | Compressed air to ISO 8573-1:2010 [7:4:4] | |
| Temperature of medium [°C] | -10 ... +60 | |
| Storage temperature [°C] | -10 ... +60 | |
| Corrosion resistance class CRC ¹⁾ | 2 | |

1) Corrosion resistance class CRC 2 to Festo standard FN 940070

Moderate corrosion stress. Indoor applications in which condensation can occur. External visible parts with primarily decorative surface requirements which are in direct contact with a normal industrial environment.

Materials

| | |
|--------------------|-------------------------|
| Connecting plate | Die-cast aluminium |
| Seals | NBR |
| Note on materials: | RoHS-compliant |
| | Free of copper and PTFE |

Dimensions and ordering data

| Size | B1 | B2 | B3 | B4 | B5 | D1 | L1 | L2 | L3 | L4 | Weight [g] | Part no. | Type |
|------|-----|-----|----|----|-----|--------|-----|-----|----|-----|------------|----------|----------|
| MS12 | 162 | 124 | 12 | 99 | 184 | G1 | 230 | 100 | 11 | 100 | 1300 | 537135 | MS12-AGF |
| | | | | | 184 | G1 1/4 | | | | | | 537136 | MS12-AGG |
| | | | | | 184 | G1 1/2 | | | | | | 537137 | MS12-AGH |
| | | | | | 196 | G2 | | | | | | 537138 | MS12-AGI |

† Note: This product conforms to ISO 1179-1 and ISO 228-1.

Covering kits MS4, MS6/MS9/MS12

Covering kit MS...-RB-10

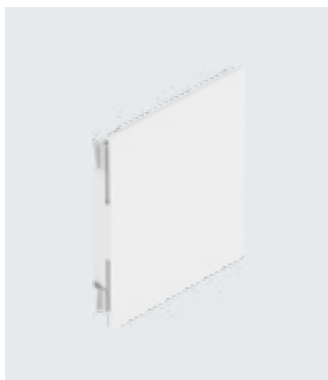
- For covering the rear of the housing

Material:

Reinforced PA

RoHS-compliant

Free of copper and PTFE



Operating and environmental conditions

| | | |
|--|------|-------------|
| Temperature of medium | [°C] | -10 ... +60 |
| Storage temperature | [°C] | -10 ... +60 |
| Corrosion resistance class CRC ¹⁾ | | 2 |

1) Corrosion resistance class CRC 2 to Festo standard FN 940070

Moderate corrosion stress. Indoor applications in which condensation can occur. External visible parts with primarily decorative surface requirements which are in direct contact with a normal industrial environment.

Ordering data

| Size | Weight [g] | Part no. | Type |
|------|------------|----------------|-------------------|
| MS4 | 60 | 8147574 | MS4-RB-10 |
| MS6 | 72 | 8147575 | MS6-RB-10 |
| MS9 | 170 | 8147576 | MS9-RB-10 |
| MS12 | 300 | 8147577 | MS12-RB-10 |

Safety components MS4, MS6/MS9/MS12

Padlock LRVS-D



Operating and environmental conditions

| | | |
|--|------|-------------|
| Ambient temperature | [°C] | -20 ... +60 |
| Temperature of medium | [°C] | -20 ... +60 |
| Corrosion resistance class CRC ¹⁾ | | 2 |

1) Corrosion resistance class CRC 2 to Festo standard FN 940070

Moderate corrosion stress. Indoor applications in which condensation can occur. External visible parts with primarily decorative surface requirements which are in direct contact with a normal industrial environment.

Materials

| | |
|--------------------|----------------|
| Housing | Brass |
| Note on materials: | RoHS-compliant |

Ordering data

| Size | Weight [g] | Part no. | Type |
|---------------------|------------|---------------|---------------|
| MS4, MS6, MS9, MS12 | 120 | 193786 | LRVS-D |